

Part # 3354

2010-2012 Ford Mustang Stalker Front Bumper

Notice: Pre-fit before painting! Install new, unpainted parts according to these instructions! Then remove parts, paint them and re-install! Painted or Altered Parts are Non-Refundable!

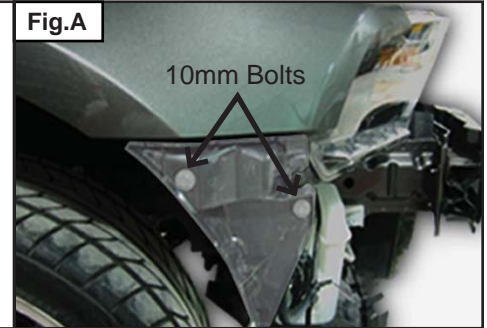
Step 1

Remove the factory bumper from the car. **(Keep the hardware because it will be reused.)**

Step 2

Remove the two 10mm bolts that hold the plastic bumper support to the fender **as shown in fig.A**. Remove the bumper support and discard it, you will not reuse it. Repeat this procedure on the other side of the car.

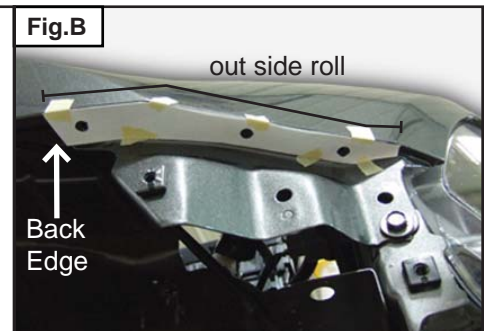
Fig.A



Step 3

Cut out the supplied template. Tape it to the bottom of the fender where the bumper meets. Carefully align the template with the back edge and outside roll of the fender **as shown in fig.B**. Use a center punch to mark center, then drill the holes out with a 5/16" drill bit.

Fig.B



PART # 3354		
QTY	DESCRIPTION	HARDWARE #
8	SHORT PHILLIPS	3265
4	CLIP NUTS	WE-2255
6	3/4" BOLTS	13003
6	1/4" NUTS	36102
12	1/4" X 1/2" WASHERS	0126007

Step 4

The front bumper mounts in the factory locations with the factory hardware (Except for the fenders). Use the supplied 3/4" bolts, washers, and nuts in the pre-drilled locations **as shown in fig.C**. Remove four of the clip nuts from the bottom splash pan **as shown in fig.D**. (You will reuse the bolts to install the lower bumper extension but not the clip nuts.) Install the four supplied clip nuts to the lower bumper extension **as shown in fig.E**. Install it to the car using the factory hardware from the stock splash pan.

Fig.C

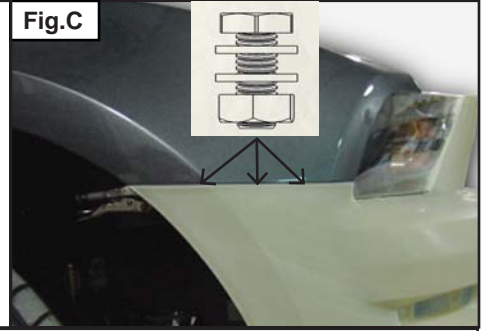


Fig. D

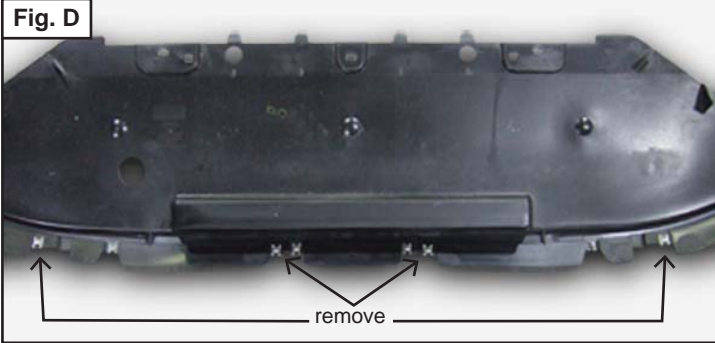
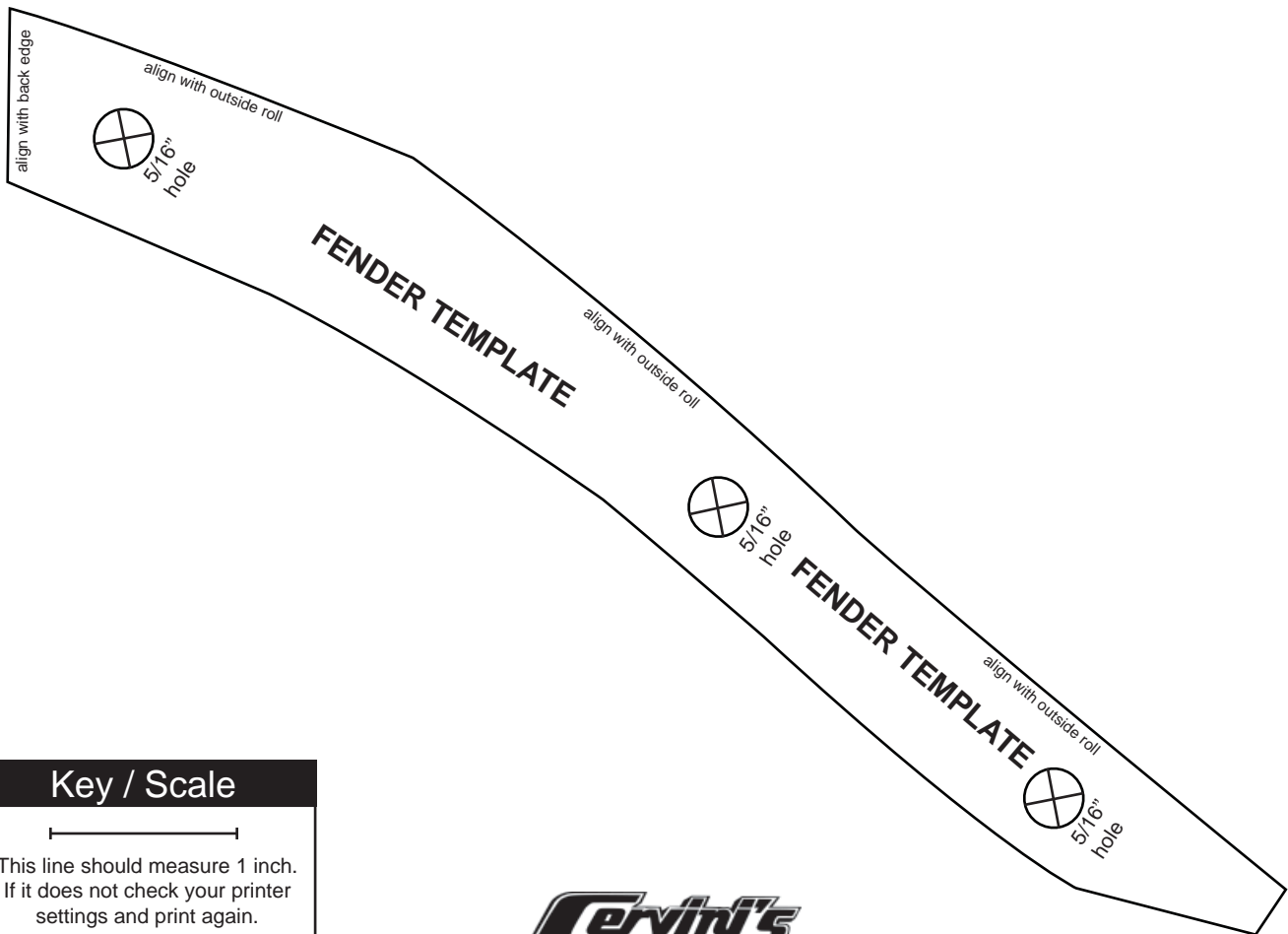
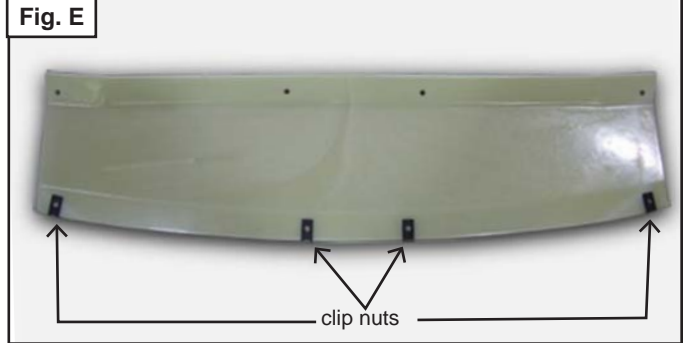


Fig. E



Key / Scale



This line should measure 1 inch.
If it does not check your printer settings and print again.



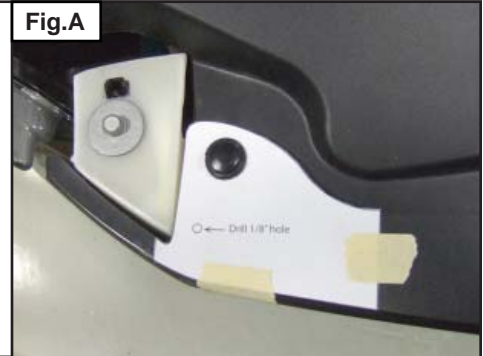
2010-2012 Ford Mustang Factory Upper Grille

Notice: Pre-fit before painting! Install new, unpainted parts according to these instructions! Then remove parts, paint them and re-install! Painted or Altered Parts are Non-Refundable!

Step 1

Grille prefit: Remove grille assembly from factory bumper. Place the grille onto new bumper only after new bumper is installed on car. **(The new bumper needs to be completely supported on the car before the grille is installed.)** Re-install the plastic radiator cover, This will be used to help align the factory grille. Use the template (on page #4) to locate the 1/8" hole that needs to be drilled. Before drilling, Install the plastic retainer through the template **as shown in fig.A. (Follow drilling instructions on step 2.)**

Fig.A



Step 2

When drilling the 1/8" hole push the grille back to place it in the correct location. Drill a 1/8" hole through the factory grille and into the new bumper **as shown in fig.B.**

Fig.B



Step 3

Once the hole has been drilled, install the black phillips screw provided in the hardware packet **as shown in fig.C** Flip template over and repeat this step for the other side.

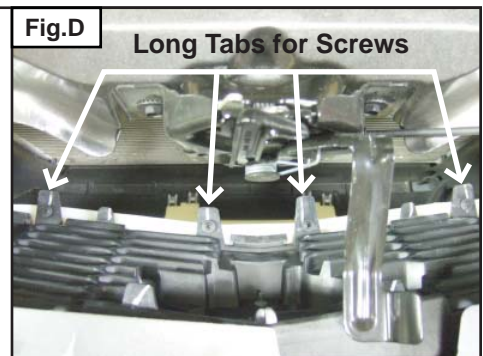
Fig.C



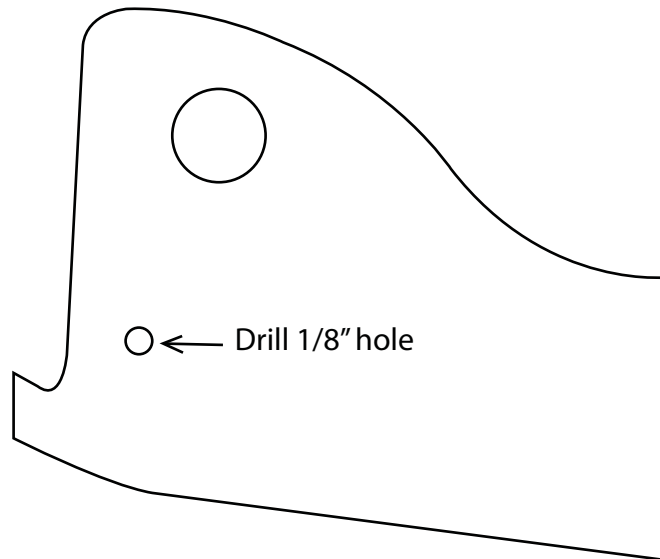
Step 4

Remove the radiator cover and drill a 1/8" hole through the long plastic tabs on the lower backside of the grille and install the 4 black phillips screws provided in the hardware packet **as shown in fig.D.**

Fig.D



2010-2012 Ford Mustang Factory Upper Grille Template



URETHANE PAINTING INSTRUCTIONS

VERY IMPORTANT: The following painting procedures MUST be followed EXACTLY for PROPER ADHESION and to prevent fish eyes.

1. To remove any mold release contaminants, clean the back of the part first. Using 2 new clean rags, saturate the first rag with plastic prep cleaner* and begin cleaning. Then use the second rag to remove the prep cleaner. Continuously fold both rags to their clean sides during the process. Use 3 sets of new rags throughout the process. This prevents mold release contaminants from transferring to the painted surface.
2. Repeat step one on the front of the part.
3. Rinse the part with water. Apply a generous amount of Ajax® or sand fix* to a red scuff pad* (3M Scotch Brite Brand) and scrub the surface to be painted THOROUGHLY (especially where the 2-sided tape is installed, on the back side of the part, and all the hard to reach areas). Then rinse with water and dry. The scrubbed surface should be dull. If any shiny spots show, repeat the process on those areas.
4. Using another set of clean new rags, again clean the surface to be painted with plastic prep cleaner.
5. Spray the surface to be painted with adhesion promoter* including the areas where the 2-sided tape is installed (follow the instructions on the can for application and drying time).
6. Apply 3 to 4 coats of urethane primer* with flex additive* (follow the instructions on the can for application and drying time).
7. Wet sand primer with 600 grit sandpaper. Be careful not to sand through the primer. If you do, you MUST clean those areas with plastic prep cleaner, apply adhesion promoter and prime. Once the primer has dried, wet sand the areas that were touched up. Your surface is now ready for paint.

* These items can be purchased at any auto body supply store.

Note: Make sure you PRIME and PAINT the areas where the 2-sided tape is used as you would if it was the finished sided of the part! The tape adheres best when it is applied to a painted surface. Cervini's does not recommend baking parts off the vehicle, if necessary parts MUST be supported properly!



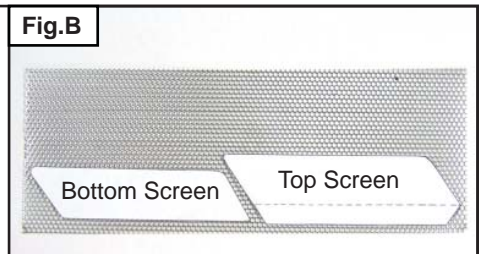
Part # 4400 2010-2012 Ford Mustang Stalker LED Insert

Notice: Pre-fit before painting! Install new, unpainted parts according to these instructions! Then remove parts, paint them and re-install! Painted or Altered Parts are Non-Refundable!

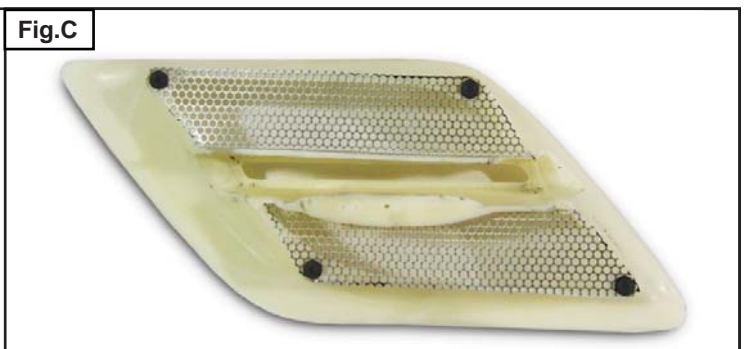
Step 1
Bumper insert Prefit: test fit the LED driving lights, and install the black phillips screws provided in the hardware packet **as shown in fig.A** Use the manufacturers direction for the wiring connection of the LED driving lights.



Step 2
Use the templates provided (page #2) to cut out the screens for the back side of the inserts **as shown in fig.B**. Using a ruler or straight edge, fold the larger screen 90 degrees on the line shown. Fold opposite direction for other side.



Step 3
Install the four black phillips screws provided in the hardware packet **as shown in fig.C**.



Step 4
After the insert has been painted install the 2-sided tape provided in the hardware packet 1/8" away from the outer edge **as shown in fig.D**.



PART # 4400		
QTY	DESCRIPTION	HARDWARE #
10	SHORT PHILLIPS	3265
1 ROLL	1/2" 2-SIDED TAPE	VHB130
1 SET	LED DRIVING LIGHTS	7270
1	SCREEN	032-P-L



2010-2012 Ford Mustang Stalker Upper Grille Template

