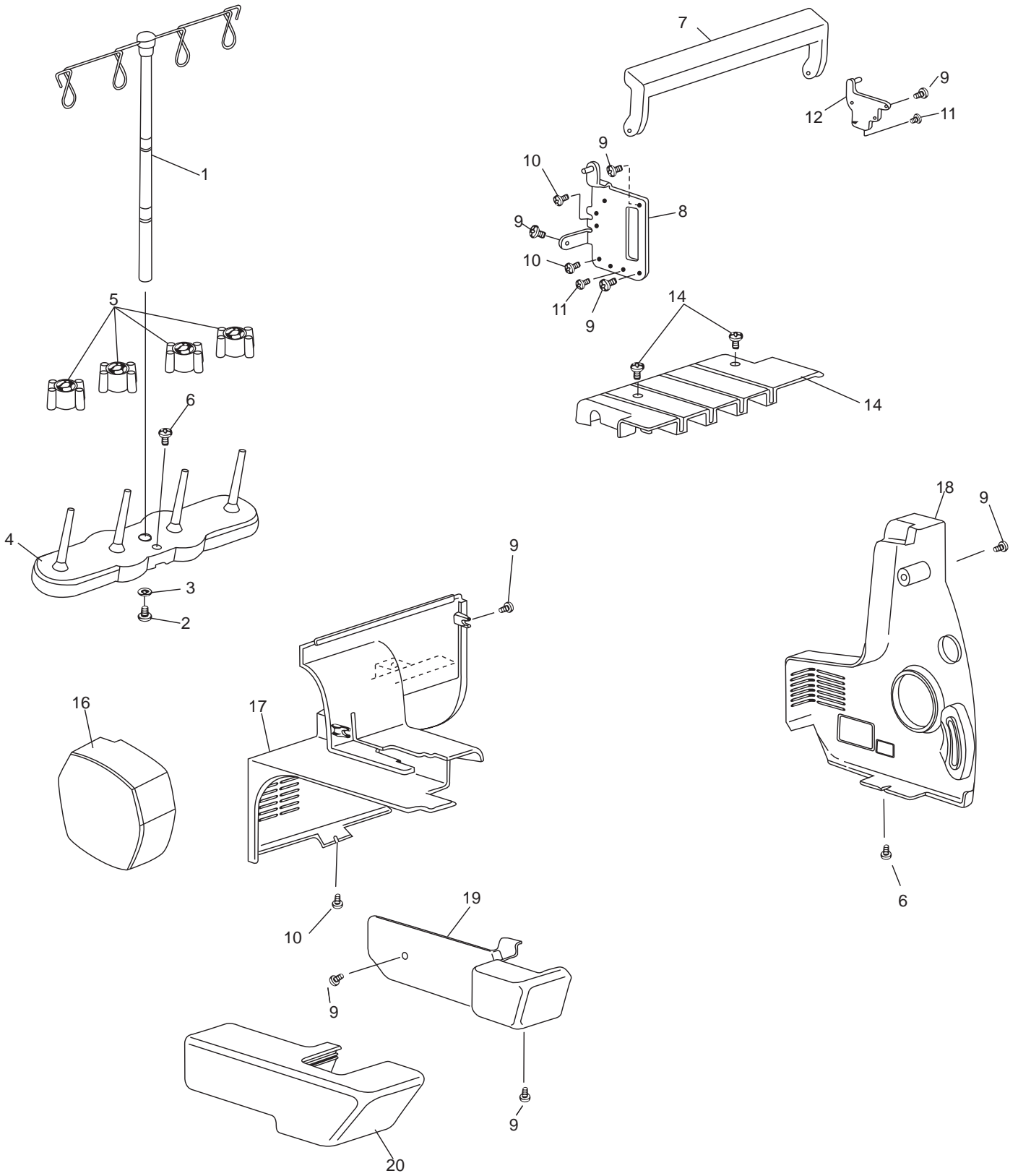


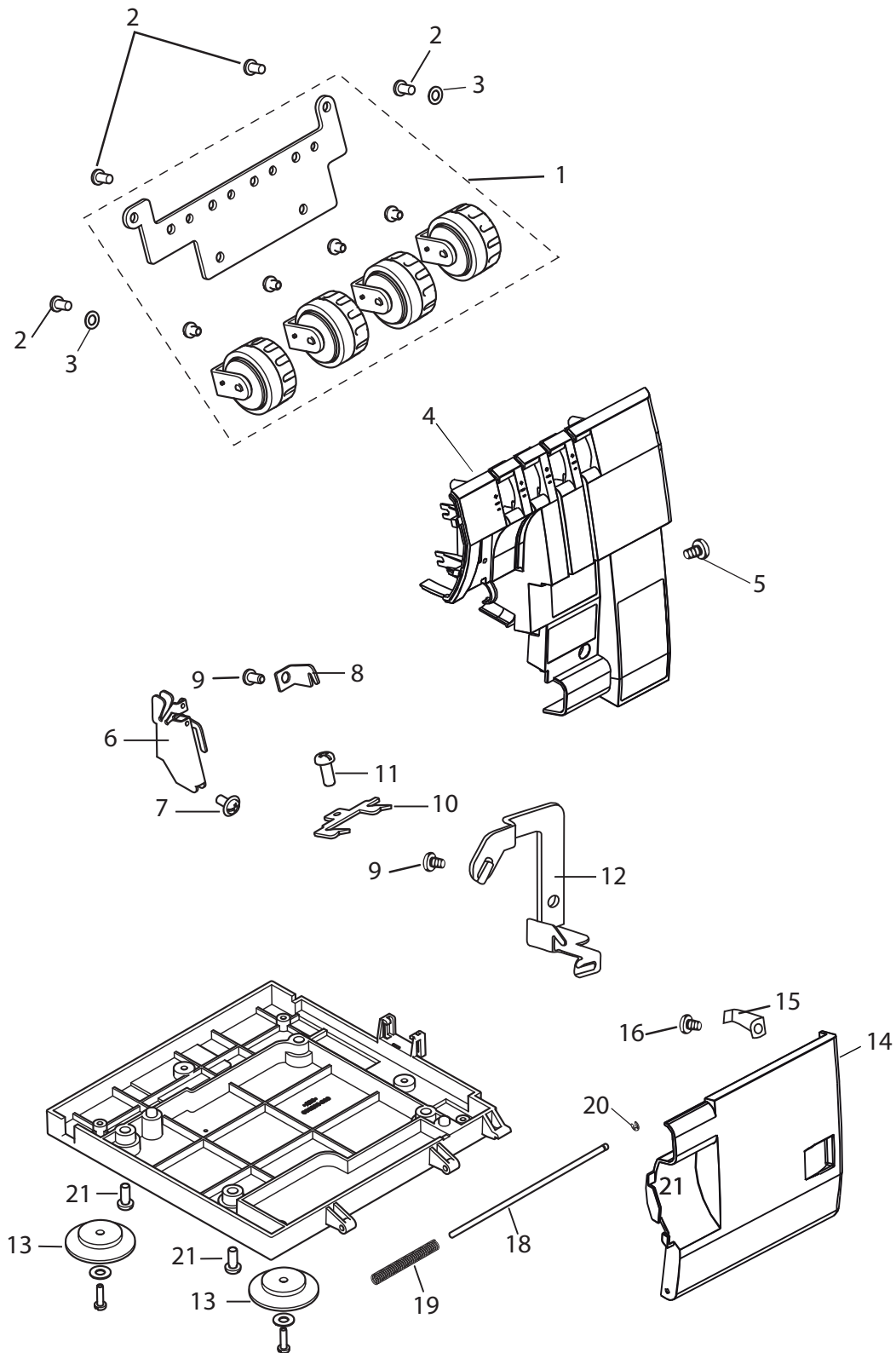


14HD854

Liste de pièces
Lista de Piezas
Parts List

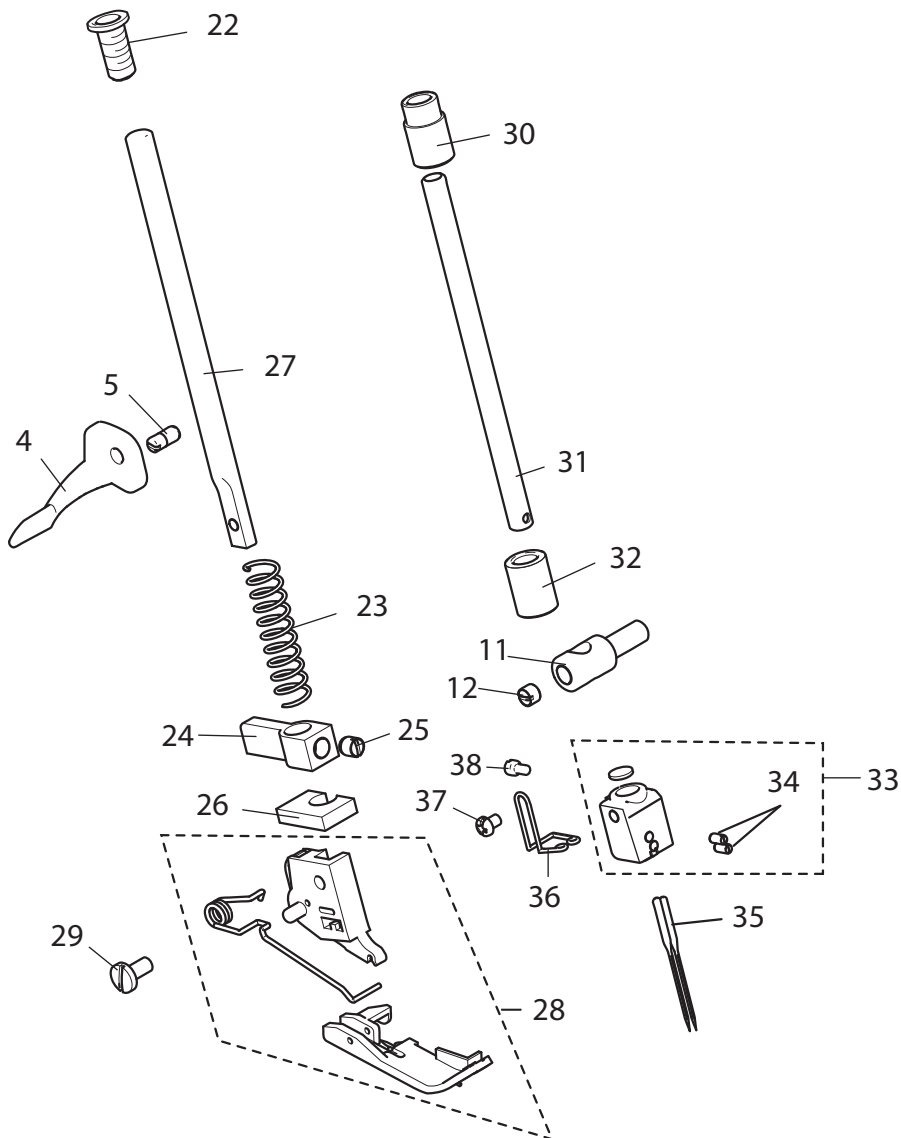
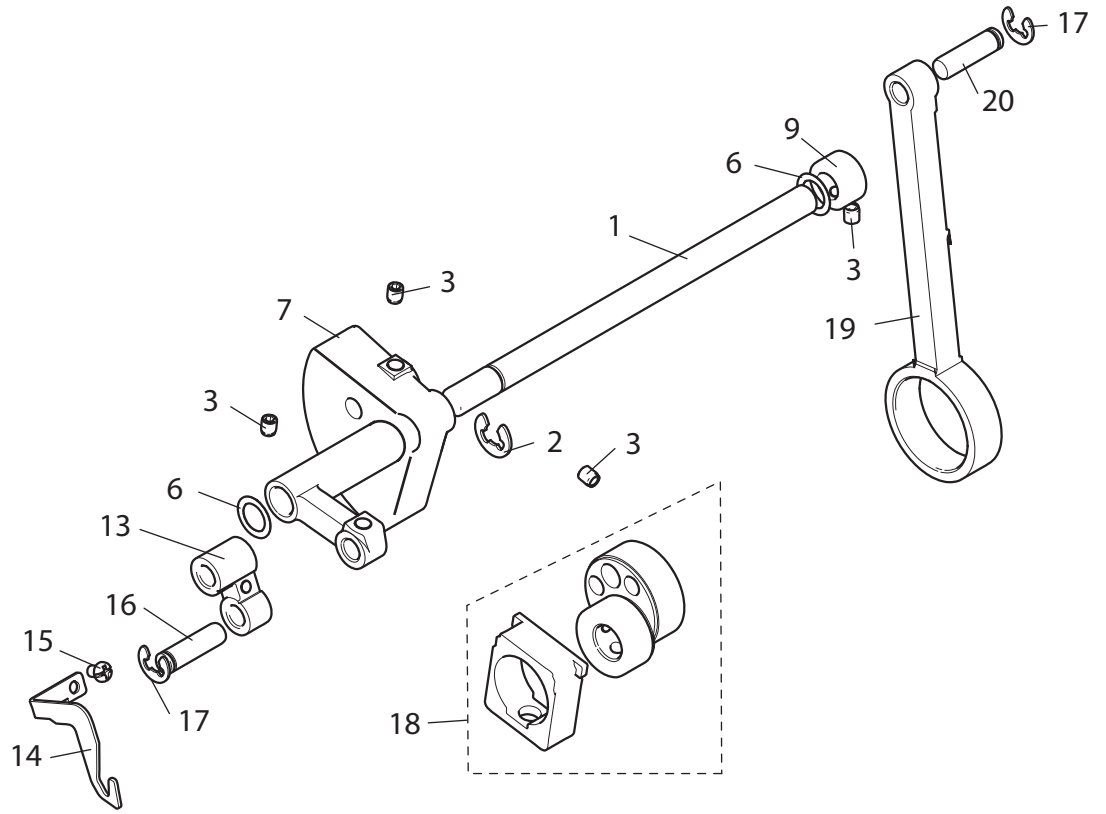


Pos	Part #	Part Description
1	416668501	THREAD UNWINDER THREAD GUIDE ROD COPM.
2	416324201	THREAD UNWINDER THREAD GUIDE ROD SCREW
3	416322901	THREAD UNWINDER THREAD GUIDE ROD SCREW WASHER
4	416675801	THREAD UNWINDER
5	416486001	SPOOL HOLDER
6	270 412697002	THREAD UNWINDER(COMP.)SCREW
7	416668901	HANDLE
8	270 556159	HANDLE BRACKET(LEFT) COMP.
9	416324601	SCREW
10	416323701	PRESSER BAR OIL FELT SCREW
11	416324101	SCREW
12	270 556156	HANDLE BRACKET(RIGHT) COMP.
13	416324101	SCREW
14	416669401	TOP COVER COMP.
15	416324301	TOP COVER SCREW
16	416668701	LIGHT COVER COMP.
17	416669601	REAR COVER
18	416669701	PULLEY COVER
19	416675901	CYLINDER COVER
20	416676001	CLOTH PLATE COMP.

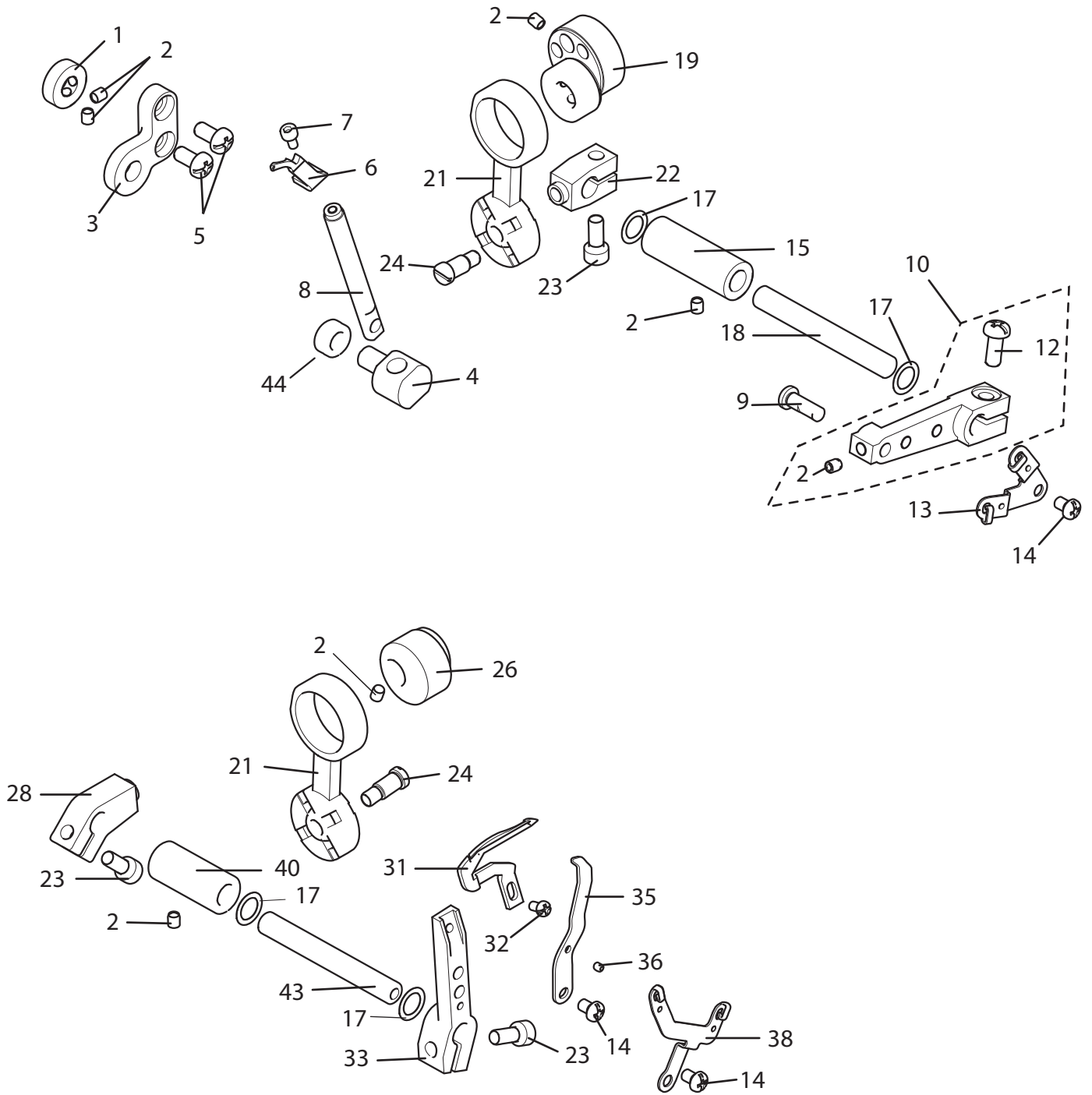


Pos	Part #	Part Description
1	416676101	ONE TURN TENSION DIAL COMP.
2	416676201	ONE TURN TENSION DIAL COMP. SET SCREW
3	416676301	ONE TURN TENSION DIAL COMP. SET SCREW WASHER
4	416669901	FRONT COVER (WITH LABELS)
5	416324601	FRONT COVER SCREW
6	270 281487	FRONT COVER THREAD GUIDE
7	416321901	FRONT COVER THREAD GUIDE BRACKET SCREW
8	416321601	FRONT COVER THREAD GUIDE(SMALL)
9	416322001	SCREW
10	416576601	FRONT COVER THREAD GUIDE(LOWER)
11	416323701	FRONT COVER THREAD GUIDE(LOWER) SCREW
12	270 550412	LOOPER THREAD GUIDE
13	416565501	RUBBER FEET
14	416676401	LOOPER COVER (GRAPHIC)
15	270 556165	LOOPER COVER HOOK
16	270 544248003	LOOPER COVER HOOK SCREW
17	416676501	MACHINE BASE COMP.
18	416333801	LOOPER COVER HINGE PIN
19	416327401	LOOPER COVER HINGE PIN SPRING
20	416322501	LOOPER COVER HINGE PIN RETAINING SPRING
21	416324501	MACHINE BASE SCREW

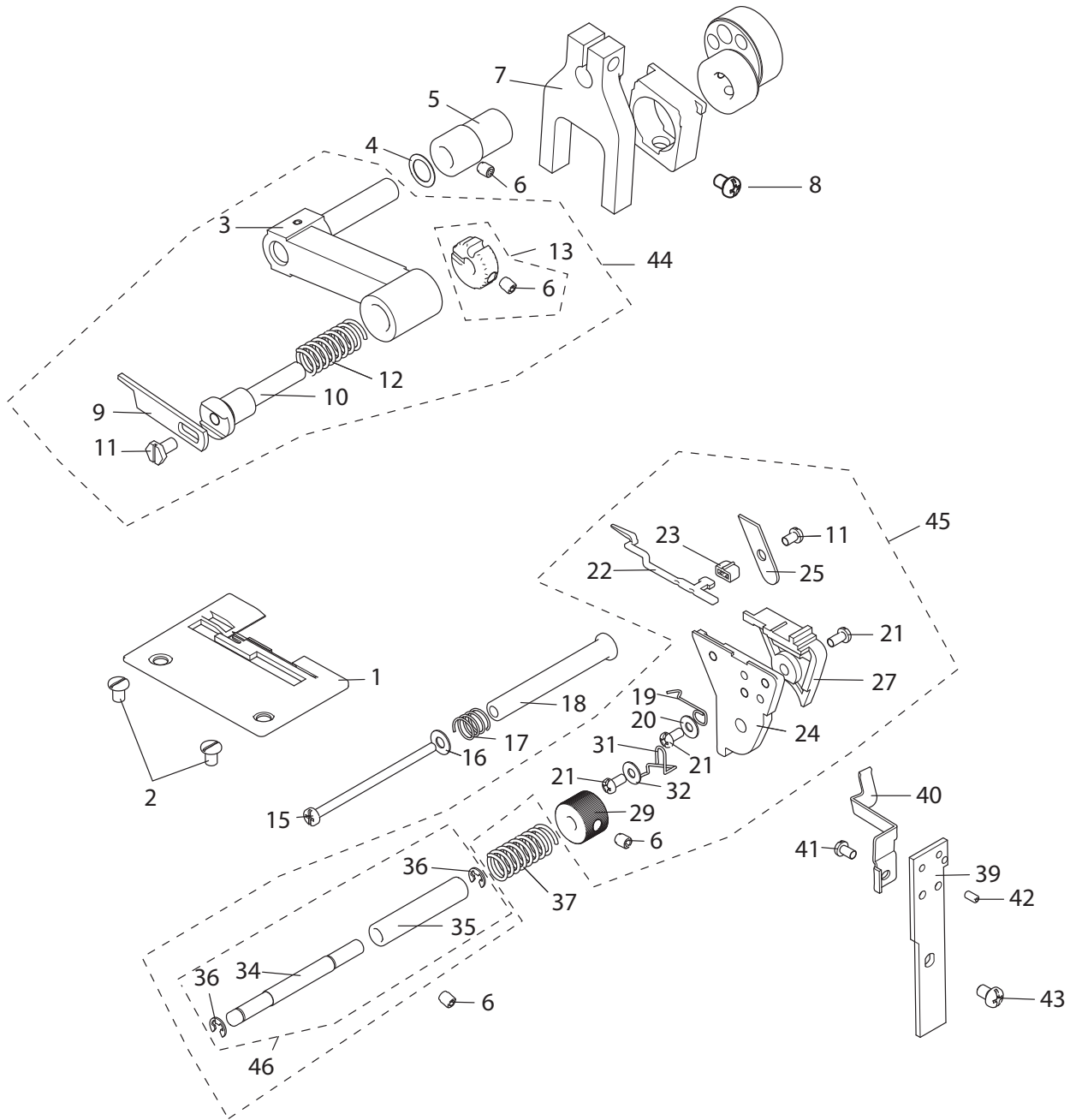
C



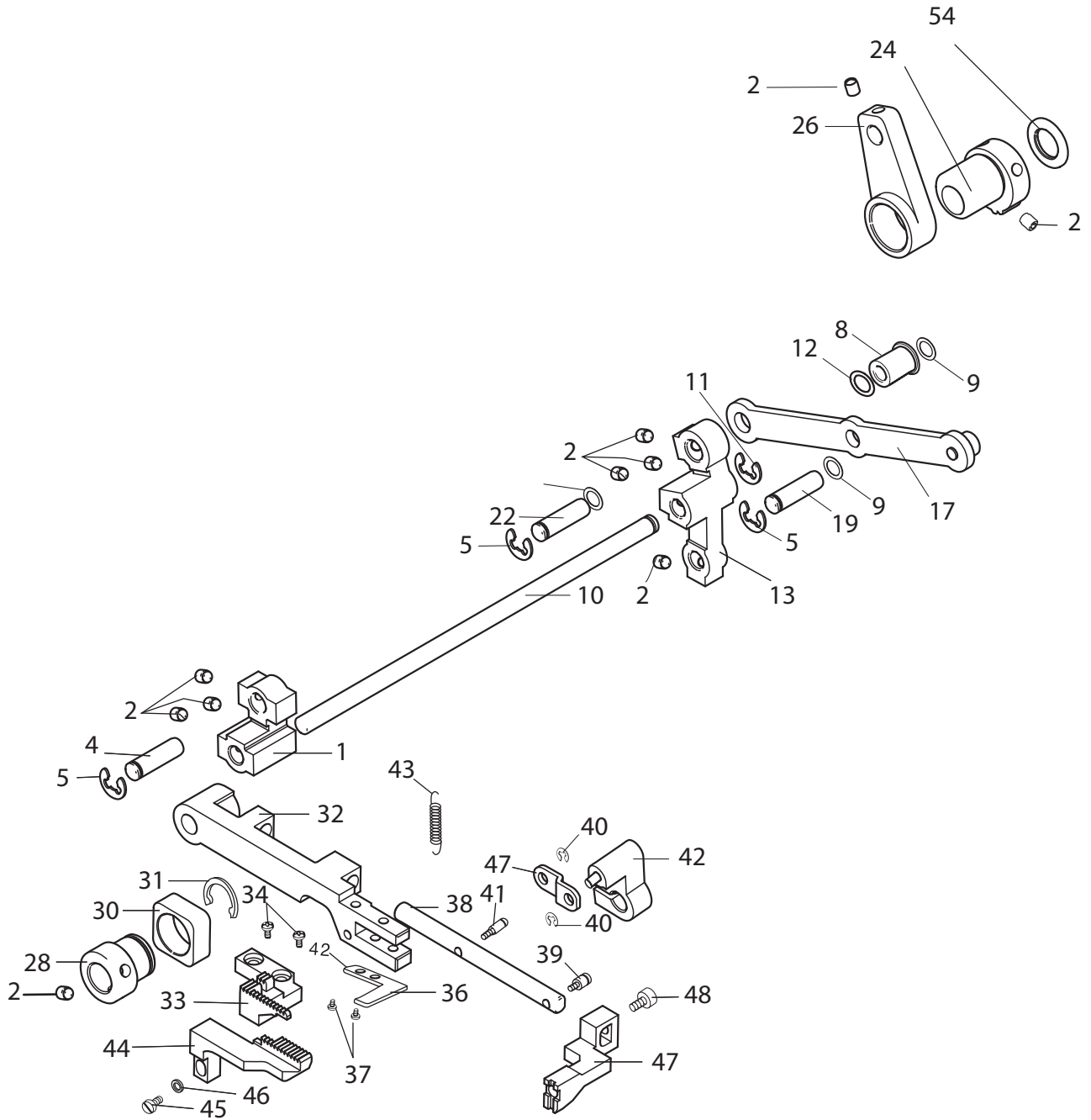
Pos	Part #	Part Description
1	270 376814	ARM SHAFT
2	416322701	ARM SHAFT RETAINING RING
3	416323501	ARM SHAFT RETAINING SCREW
4	416676601	PRESSER BAR LIFTER
5	270 556197391	PRESSER BAR LIFTER SCREW
6	416322301	THRUST WASHER
7	270 550405900	NEEDLE BAR CRANK
8	416323501	NEEDLE BAR CRANK ROD PIN SCREW
9	270 550393	ARM SHAFT COLLAR COMP.
10	416323501	ARM SHAFT COLLAR SCREW
11	416321201	NEEDLE BAR CONNECTING STUD
12	416323301	NEEDLE BAR CONNECTING STUD SCREW
13	270 410327	NEEDLE BAR CONNECTING LINK
14	416319801	STRIKER
15	416323801	STRIKER SCREW
16	270 370270900	NEEDLE BAR CONNECTING LINK PIN
17	416322601	NEEDLE BAR CONNECTING LINK PIN RETAINING RING
18	270 556139	NEEDLE BAR ECC. KNIFE (MOVABLE) FORKED LEVER SLIDE BLOCK
19	270 557726	NEEDLE BAR CRANK ROD
20	270 370270900	NEEDLE BAR CONNECTING LINK PIN
21	416322601	NEEDLE BAR CONNECTING LINK PIN RETAINING RING
22	416670401	PRESSER REGULATING THUMB COMP.
23	416321301	PRESSER BAR SPRING
24	270 410353900	PRESSER BAR GUIDE BRACKET
25	416323401	PRESSER BAR GUIDE BRACKET SCREW
26	416325001	PRESSER BAR OIL FELT
27	416331201	PRESSER BAR
28	416325201	PRESSER FOOT COMP.(SNAP- ON TYPE)
29	416322201	PRESSER FOOT SCREW
30	270 410323	NEEDLE BAR BUSHING (UPPER)
31	416320801	NEEDLE BAR
32	270 410324	NEEDLE BAR BUSHING (LOWER)
33	416327501	NEEDLE CLAMP(BODY)COMP.(FOR 4 THREAD)
34	416320701	NEEDLE SET SCREW
35		NEEDLE(#16)
36	416320901	NEEDLE CLAMP THREAD GUIDE
37	416324001	NEEDLE CLAMP THREAD GUIDE SET SCREW
38	416320401	NEEDLE CLAMP (BODY) SCREW



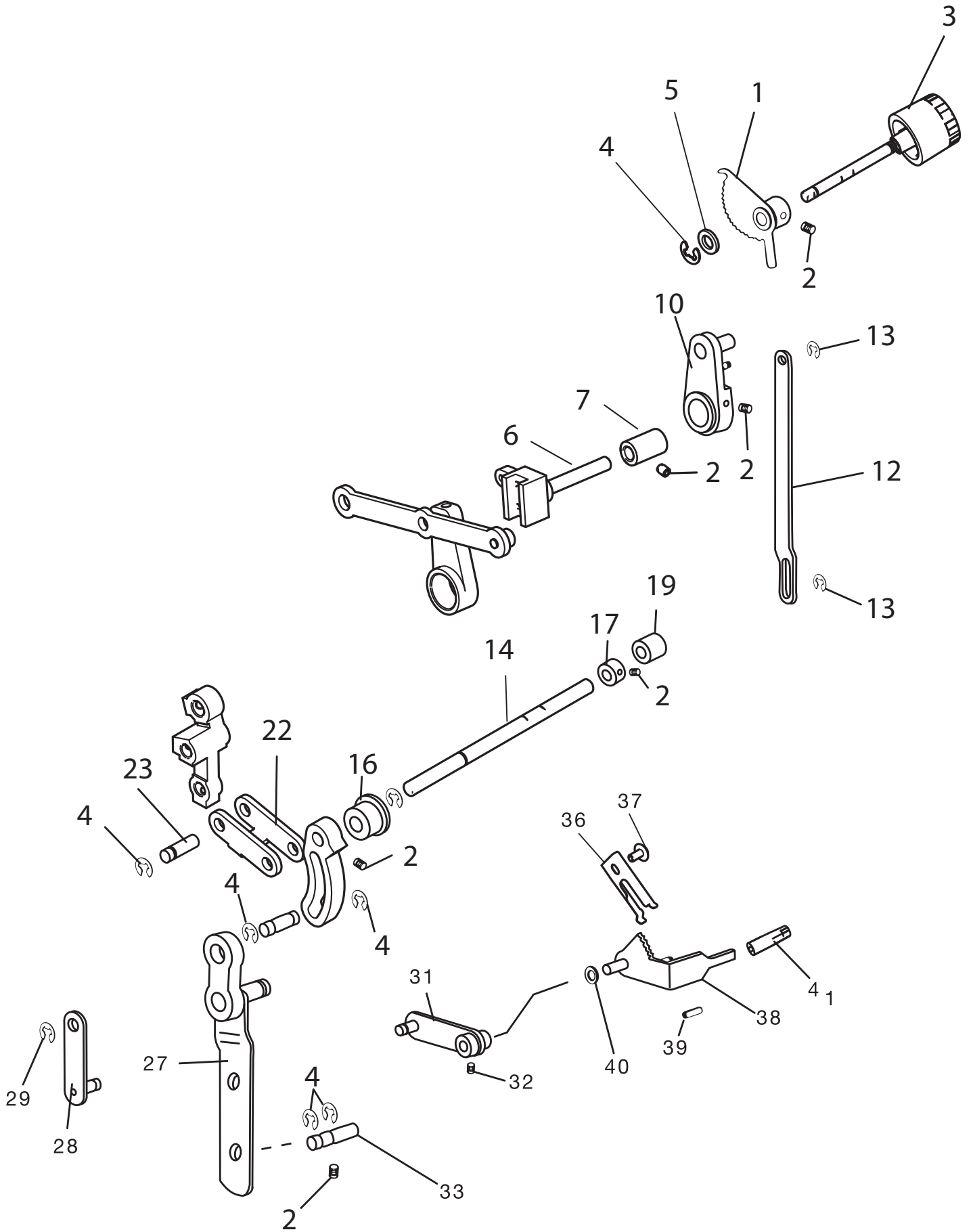
Pos	Part #	Part Description
1	416325301	UPPER LOOPER RETAINER GUIDE COLLAR COMP.
2	416323501	UPPER LOOPER RETAINER GUIDE COLLAR SCREW
3	416676701	UPPER LOOPER RETAINER GUIDE BRACKET
4	416321401	UPPER LOOPER RETAINER GUIDE
5	416324401	UPPER LOOPER RETAINER GUIDE BRACKET SCREW
6	416327101	UPPER LOOPER
7	416322101	UPPER LOOPER SCREW
8	270 410453	UPPER LOOPER RETAINER
9	270 370290	UPPER LOOPER RETAINER DRIVING LEVER STUD
10	416327201	UPPER LOOPER RETAINER DRIVING LEVER COMP.
11	416323501	UPPER LOOPER RETAINER DRIVING LEVER STUD SCREW
12	270 544213053	UPPER LOOPER RETAINER DRIVING LEVER CLAMPING SCREW
13	270 550406	UPPER LOOPER THREAD GUIDE
14	416324101	UPPER LOOPER THREAD GUIDE SCREW
15	270 376799	UPPER LOOPER SHAFT BUSHING
16	416323501	UPPER LOOPER SHAFT BUSHING SCREW
17	416322301	UPPER LOOPER SHAFT BUSHING THRUST WASHER
18	270 376813	UPPER LOOPER SHAFT
19	270 550477	UPPER LOOPER CAM COMP.
20	416323501	UPPER LOOPER CAM SCREW
21	416327601	UPPER LOOPER CAM ROD COMP.
22	270 412796	UPPER LOOPER SHAFT LEVER COMP.
23	270 414750001	UPPER LOOPER SHAFT LEVER CLAMPING SCREW
24	416678401	UPPER LOOPER CAM ROD END SCREW STUD
25	416327601	LOWER LOOPER CAM ROD COMP.
26	270 550477	LOWER LOOPER CAM COMP.
27	416323501	LOWER LOOPER CAM SCREW
28	270 412798	LOWER LOOPER SHAFT LEVER COMP.
29	270 414750001	LOWER LOOPER SHAFT LEVER CLAMPING SCREW
30	416678401	LOWER LOOPER CAM ROD END SCREW STUD
31	416325601	LOWER LOOPER
32	416323901	LOWER LOOPER SCREW
33	270 376839900	LOWER LOOPER HOLDER
34	270 414750001	LOWER LOOPER HOLDER CLAMPING SCREW
35	416319501	NEEDLE GUARD (BACK) (FOR OVEREDGE NEEDLE)
36	416320501	NEEDLE GUARD(BACK) (FOR OVEREDGE NEEDLE) ADJUSTING SCREW
37	416324101	NEEDLE GUARD(BACK) (FOR OVEREDGE NEEDLE) SCREW
38	270 550410	LOWER LOOPER HOLDER THREAD GUIDE
39	416324101	LOWER LOOPER HOLDER THREAD SCREW
40	270 376798	LOWER LOOPER SHAFT BUSHING
41	416323501	LOWER LOOPER SHAFT BUSHING SCREW
42	416322301	UPPER LOOPER SHAFT BUSHING THRUST WASHER
43	270 550407	UPPER LOOPER SHAFT
44	416676801	UPPER LOOPER RETAINER BUSHING



Pos	Part #	Part Description
1	416325801	THROATE PLATE
2	416327001	THROATE PLATE POSITION SCREW
3	416676901	KNIFE(MOVABLE) LEVER COMP.
4	416322301	KNIFE(MOVABLE) FORKED LEVER STUD BUSHING THRUST WASHER
5	270 550440	KNIFE(MOVABLE) FORKED LEVER STUD BUSHING
6	416323501	KNIFE(MOVABLE) FORKED LEVER STUD BUSHING SCREW
7	270 550633	KNIFE(MOVABLE) FORKED LEVER COMP.
8	414750004	KNIFE(MOVABLE) FORKED LEVER SCREW
9	416669301	KNIFE(MOVABLE)
10	416321801	KNIFE(MOVABLE) HOLDER
11	416324701	KNIFE(MOVABLE) SCREW
12	416670501	KNIFE(MOVABLE) HOLDER SPRING
13	270 550581	KNIFE(MOVABLE) HOLDER COLLAR COMP.
14	416323501	KNIFE(MOVABLE) HOLDER COLLAR SCREW
15	270 414744003	KNIFE(STATIONARY) HOLDER STUD SCREW
16	270 541217	KNIFE(STATIONARY) HOLDER STUD SCREW WASHER
17	270 412774	KNIFE(STATIONARY) HOLDER STUD SPRING
18	270 550457	KNIFE(STATIONARY) HOLDER STUD
19	416326101	SEAM WIDTH FINGER SPRING
20	270 543803002	SEAM WIDTH FINGER SPRING WASHER
21	416323701	SEAM WIDTH FINGER SPRING SCREW
22	416326001	SEAM WIDTH FINGER
23	416677001	SEAM WIDTH FINGER KNOB
24	270 55044	KNIFE(STATIONARY) HOLDER
25	416325901	KNIFE(STATIONARY)
26	416323801	KNIFE(STATIONARY) SCREW
27	416677101	SEAM WIDTH FINGER SUPPORT PLATE
28	416323701	SEAM WIDTH FINGER SUPPORT PLATE SCREW
29	416677201	SEAM WIDTH CONTROL DIAL COMP.
30	416323501	SEAM WIDTH CONTROL DIAL SCREW
31	270 550602	SEAM WIDTH CONTROL DIAL SPRING
32	270 543803002	SEAM WIDTH CONTROL DIAL SPRING WASHER
33	416323701	SEAM WIDTH CONTROL SPRING SCREW
34	270 550549	SEAM WIDTH CONTROL SCREW
35	270 550456	SEAM WIDTH CONTROL SCREW BUSHING
36	270 543801003	SEAM WIDTH CONTROL SCREW RETAINING RING
37	270 550359	SEAM WIDTH CONTROL SCREW SPRING
38	416323501	SEAM WIDTH CONTROL STUD SCREW
39	416327301	NEEDLE GUARD BRACKET
40	416325701	NEEDLE GUARD(FRONT) FOR OVEREDGE NEEDLE
41	416323601	NEEDLE GUARD(FRONT) FOR OVEREDGE NEEDLE SCREW
42	416320601	NEEDLE GUARD(FRONT) FOR OVEREDGE NEEDLE ADJUSTING SCREW
43	416324101	NEEDLE GUARD BRACKET COMP. SCREW
44	416677301	KNIFE (MOVEABLE) COMP.
45	416677401	KNIFE (STATIONARY) COMP.
46	270 550598	SEAM WIDTH CONTROL SCREW COMP.

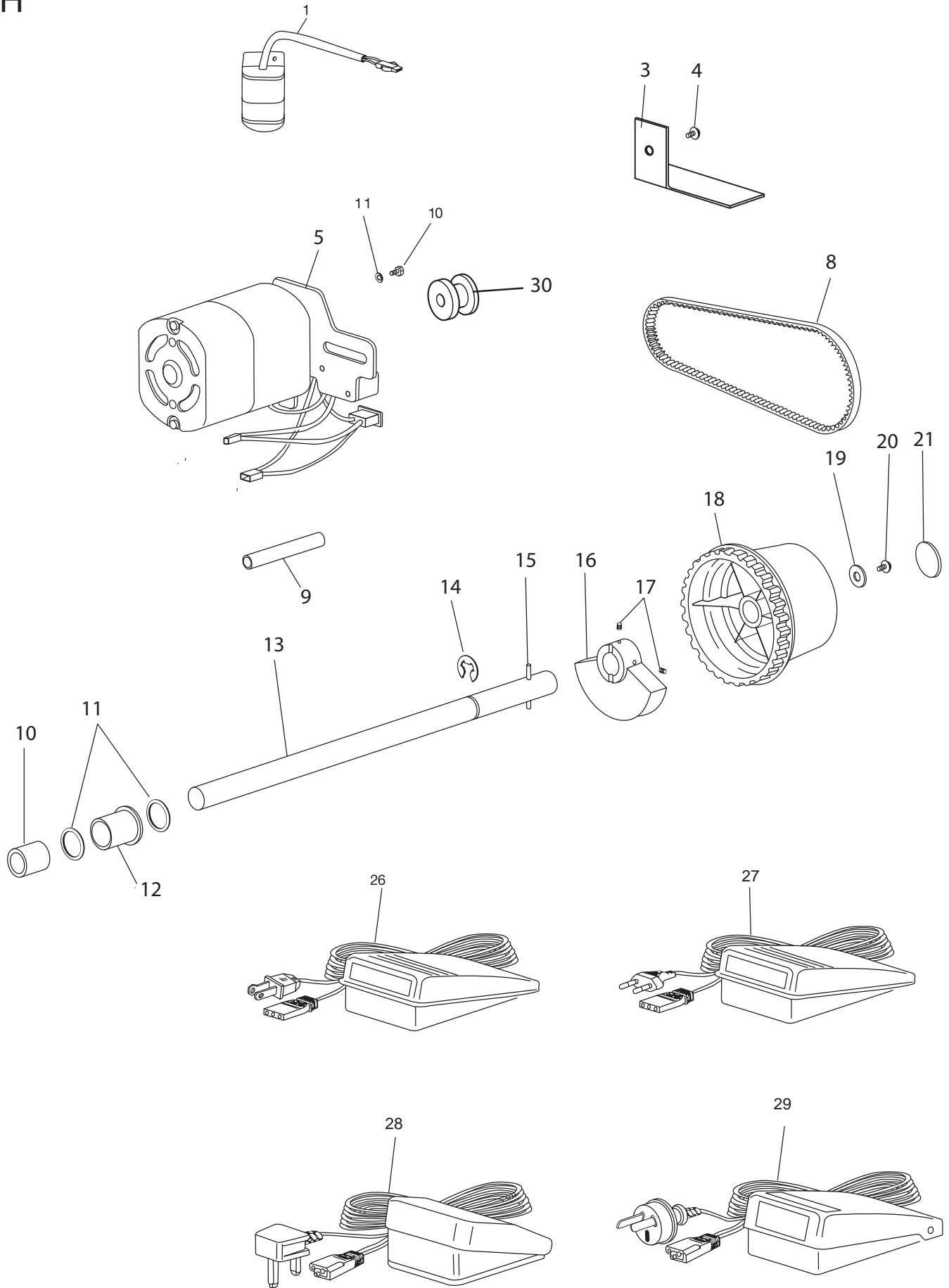


Pos	Part #	Part Description
1	270 550467	FEED CRANK (LEFT) COMP.
2	416323501	FEED CRANK (LEFT) SCREW
3	416323501	FEE D CRANK (LEFT) STUD SCREW
4	416678301	FEED CRANK (LEFT) STUD
5	416322601	FEED CRANK (LEFT) STUD RETAIN RING
6	416322301	FEED CRANK (LEFT) STUD THRUST WASHER
7	270 550460	FEED CRANK SHAFT BUSHING (LEFT)
8	270 550459	FEED CRANK SHAFT BUSHING (RIGHT)
9	416322401	FEED CRANK SHAFT THRUST WASHER
10	416326301	FEED CRANK SHAFT
11	270 543801005	FEED CRANK SHAFT BUSHING RETAINING RING
12	270 543815006	FEED CRANK SHAFT THRUST WASHER
13	270 550471	FEED CRANK (RIGHT) (FOR DIFFERENTIAL FEED) COMP.
14	416323501	FEED CRANK (RIGHT) (FOR DIFFERENTIAL FEED) SCREW
15	416323501	FEED CRANK (RIGHT) STUD SCREW
16	416323501	DIFFERENTIAL FEED CRANK STUD SCREW
17	270 550464	FEED REGULATOR CRANK ROD COMP.
18	416322601	FEED CRANK ROD STUD RETAINING RING
19	270 412635	FEED CRANK ROD STUD
20	416322401	FEED CRANK ROD STUD THRUST WASHER
21	416322601	FEED CRANK ROD STUD RETAINING RING
22	270 550469	FEED CRANK (RIGHT) STUD
23	416322301	FEED CRANK (RIGHT) STUD THRUST WASHER
24	270 556086	FEED CAM COMP.
25	416323501	FEED CAM SCREW
26	270 550463900	FEED CRANK ROD
27	416323501	FEED CRANK ROD PIN SCREW
28	270 550579	FEED LIFTING CAM COMP.
29	416323501	FEED LIFTING CAM SCRW
30	270 410387	FEED LIFTING CAM SLIDE BLOCK
31	270 543818010	FEED LIFTING CAM SLIDE BLOCK RETAINING RING
32	416677501	MAIN FEED BAR
33	416326501	MAIN FEED DOG
34	416323701	MAIN FEED DOG SCREW
35	416326401	MAIN FEED BAR SPRING SCREW STUD
36	270 550498	AUXILIARY FEED SUPPOTR BRACKET
37	416323701	AUXILIARY FEED SUPPOTR BRACKET SCREW
38	270 550500	AUXILIARY FEED BAR
39	416326701	AUXILIARY FEED BAR GUIDE PIN SCREW
40	270 543801003	AUXILIARY FEED BAR LINK RETAINING RING
41	270 550504	AUXILIARY FEED BAR LINK
42	270 557745	DIFFERENTIAL FEED ARM COMP.
43	416326801	MAIN FEED BAR SPRING
44	416326601	AUXILIARY FEED DOG
45	416324201	AUXILIARY FEED DOG SCREW
46	416322801	AUXILIARY FEED DOG SCREW WASHER
47	270 550501	AUXILIARY FEED DOG HOLDER
48	416323701	AUXILIARY FEED DOG HOLDER SCREW

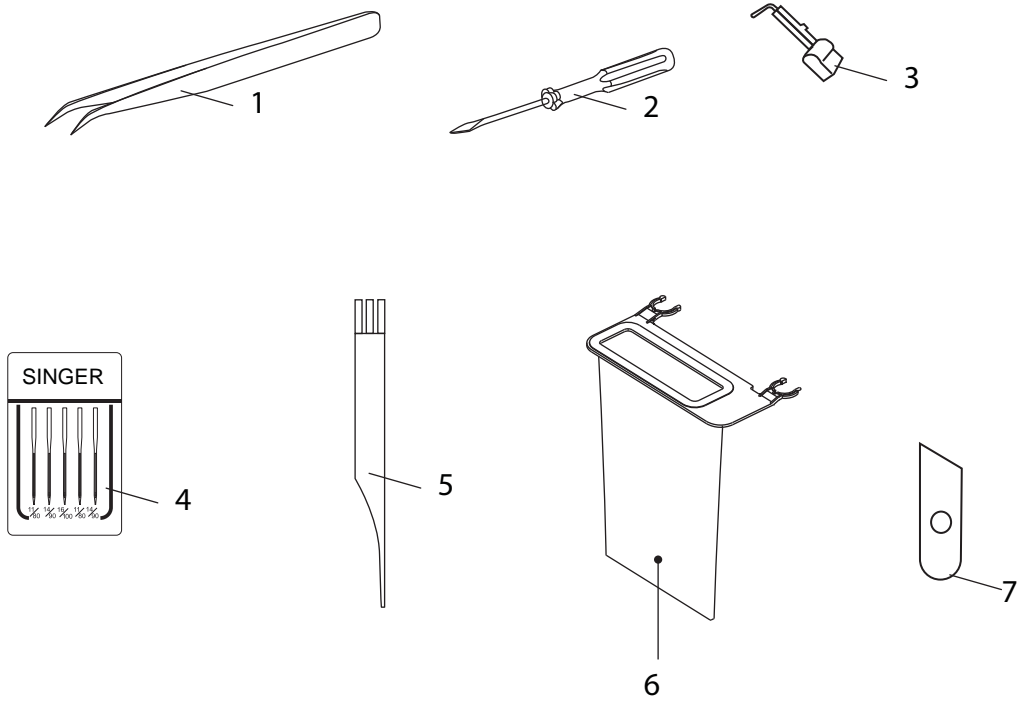


Pos	Part #	Part Description
1	270 557715	FEED GEGULATOR DRIVING CAM (BODY) COMP.
2	416323501	FEED GEGULATOR DRIVING CAM SCREW
3	416669801	FEED DIAL(GRAPHIC)
4	416322601	FEED DIAL(GRAPHIC) RETAINING RING
5	416321001	FEED DIAL WAVE WASHER
6	270 281401	FEED REGULATOR
7	270 410370	FEED REGULATOR STUD BUSHING
8	416323501	FEED REGULATOR STUD BUSHING SET SCREW
9	416319601	FEED REGULATOR LEVER SPRING
10	270 550490	FEED REGULATOR LEVER COMP.
11	416323501	FEED REGULATOR LEVER SCREW
12	270 550523	DIFFERENTIAL FEED SAFETY PLATE
13	416322501	DIFFERENTIAL FEED SAFETY PLATE RETAINING PLATE
14	270 550510	DIFFERENTIAL FEED SHAFT
15	416322601	DIFFERENTIAL FEED SHAFT RETAINING RING
16	270 557748	DIFFERENTIAL FEED SHAFT BUSHING
17	270 375390	DIFFERENTIAL FEED SHAFT COLLAR COMP.
18	416323501	DIFFERENTIAL FEED SHAFT COLLAR SCREW
19	270 410324	DIFFERENTIAL FEED SHAFT BUSHING
20	270 550584	DIFFERENTIAL FEED ADJUSTING ARM COMP.
21	416323501	DIFFERENTIAL FEED ADJUSTING ARM SCREW
22	270 412622	DIFFERENTIAL FEED CRANK ROD
23	270 412620	DIFFERENTIAL FEED CRANK STUD
24	416322601	DIFFERENTIAL FEED CRANK STUD RETAINING RING
25	270 412627	DIFFERENTIAL FEED CRANK ROD STUD
26	416322601	DIFFERENTIAL FEED CRANK ROD STUD RETAINING RING
27	270 557728	DIFFERENTIAL FEED ADJUSTING LEVER (LOWER)
28	270 550519	DIFFERENTIAL FEED LEVER LINK COMP.
29	270 543801005	DIFFERENTIAL FEED LEVER RETAINING RING
30	416322601	DIFFERENTIAL FEED ADJUSTING LEVER (LOWER) RETAINING RING
31	270 550572	DIFFERENTIAL FEED LEVER COMP.
32	416323501	DIFFERENTIAL FEED ADJUSTING LEVER SCREW
33	270 412644	DIFFERENTIAL FEED ADJUSTING LEVER STUD
34	416322601	DIFFERENTIAL FEED ADJUSTING LEVER STUD RETAINING RING
35	416323501	DIFFERENTIAL FEED ADJUSTING LEVER STUD SCREW
36	270 550524	DIFFERENTIAL FEED ADJUSTING LEVER SPRING
37	416324601	DIFFERENTIAL FEED ADJUSTING LEVER SPRING SCREW
38	270 557733	DIFFERENTIAL FEED ADJUSTING LEVER COMP.
39	416323101	DIFFERENTIAL FEED ADJUSTING LEVER PIN
40	270 543803005	DIFFERENTIAL FEED ADJUSTING LEVER WASHER
41	416677601	DIFFERENTIAL FEED ADJUSTING LEVER KNOB

H



Pos	Part #	Part Description
1	416669001	LED LIGHT COMP.(FOR 120V)
1	416669002	LED LIGHT COMP.(FOR 220-240V)
2	270 412737	CORD RETAINER
3	416698701	CORD CLAMPING PLATE
4	416324101	CORD CLAMPING PLATE SCREW
5	416677801	MOTOR, SWITCH COMP. (FOR 230V)
5	416678201	MOTOR, SWITCH COMP. (FOR 120V)
6	416324802	MOTOR, BRACKET SCREW
7	416323001	MOTOR, BRACKET SCREW WASHER
8	416327701	TIMING BELT
9	416677901	TUBE(FOR 220-240V)
10	270 410252	ROTATING SHAFT BUSHING (LEFT)
11	270 408730	ROTATING SHAFT THRUST WASHER
12	270 410253	ROTATING SHAFT BUSHING (RIGHT)
13	270 557723	ROTATING SHAFT
14	270 543801010	ROTATING SHAFT RETAINING RING
15	270 543808004	ROTATING SHAFT SPRING PIN
16	270 550527	ROTATING SHAFT BALANCE WEIGHT COMP.
17	416323501	ROTATING SHAFT BALANCE WEIGHT COMP. SCREW
18	416668601	TIMING BELT PULLEY
19	416323201	TIMING BELT PULLEY SET SCREW WASHER
20	416324601	TIMING BELT PULLEY SET SCREW
21	416319201	TIMING BELT PULLEY COVER
26	270 369434003	CONTRALLER COMP.(TRIAC 100-120V) (PLUG A - TYPE)
27	270 364297001	CONTROLLER COMP.(CARBON 220-250V) (PLUG C - TYPE)
30	416604001	MOTOR PULLEY CPL



Pos	Part #	Part Description
1	270 BENTTWEEZER	TWEEZERS
2	270 541514	SCREW DRIVER (SMALL)
3	416326901	SPREADER
4		NEEDLE PACK
5	416678001	LINT BRUSH WITH HOLE FOR MOUNTING NEEDLE
6	416678101	WASTE BAG
7	416325901	KNIFE (STATIONARY)