

SINGER
14J334

BUYER'S MODEL NO. 14J334

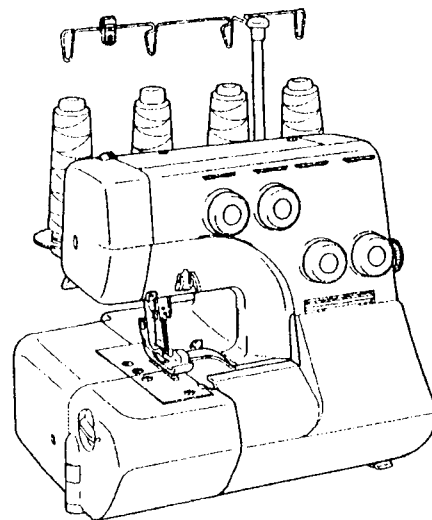
FACTORY MODEL CA05561

ORIGINAL ISSUE March, 1999

SECTION —

REFER TO IMPORTANT NOTICE BELOW


PARTS LIST FOR SERGER MODEL 14J334



IMPORTANT:

WHEN ORDERING THE PARTS
ALWAYS CHECK THE SERIAL
NUMBER OF THE MACHINE.

FIRST DIGIT OF THE SERIAL
NUMBER MUST MATCH WITH THE
LAST DIGIT OF THE FACTORY
MODEL ABOVE.

SINGER	
FACTORY MODEL 14J334	SERIAL-NO. DE SÉRIE 1 x x x x x x
 LISTED E465 US E81486 SEWING MACHINE	120V 1.3A 60Hz MADE IN CHINA FABRIQUE EN CHINE

FIRST DIGIT

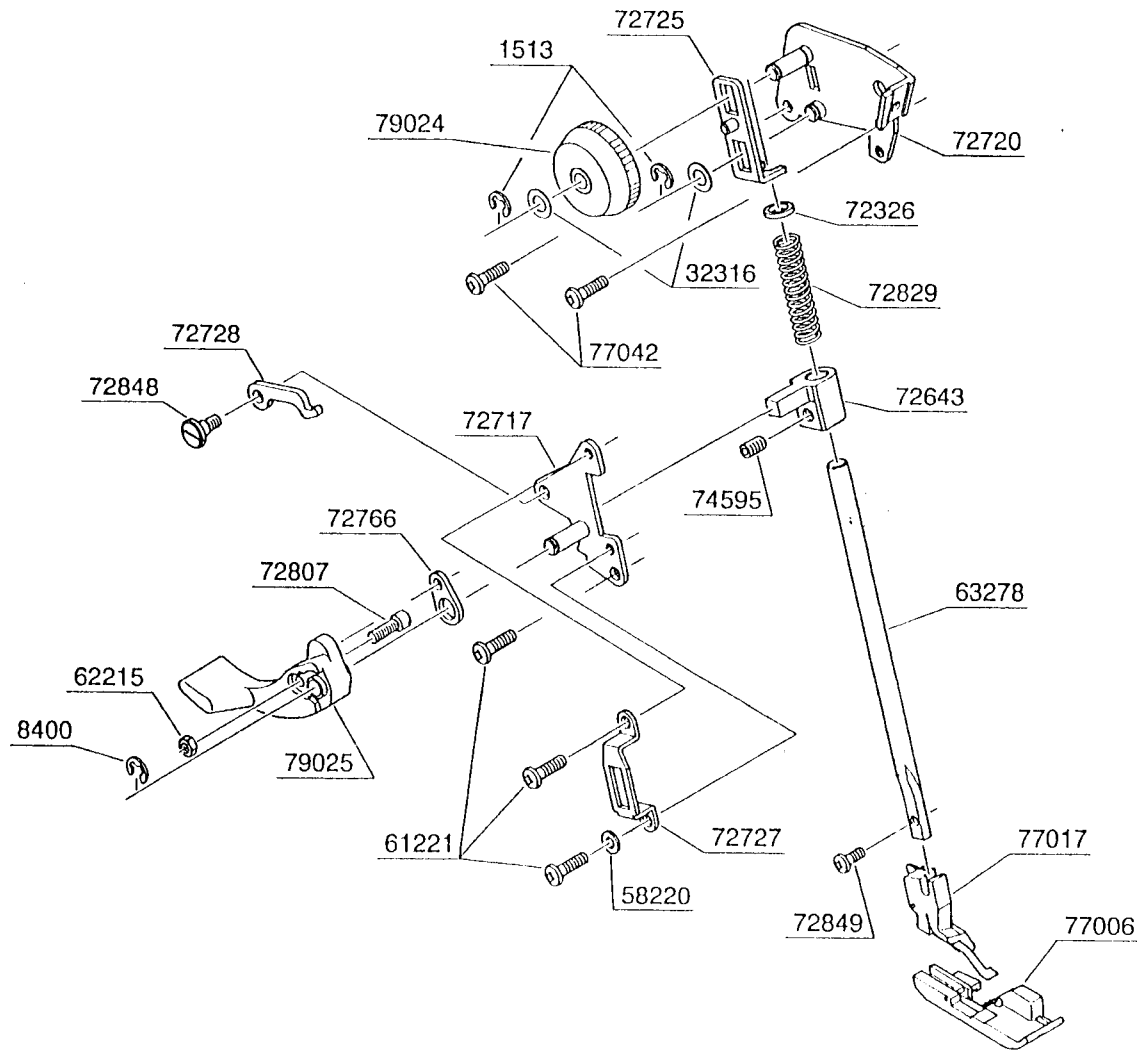
SINGER

BUYER'S MODEL NO.	14J334	SECTION		PAGE	1	REVISION		REMARKS		PART NO.	DESCRIPTION
BUYER'S MODEL NAME										43389	THRUST WASHER
FACTORY MODEL	CA05561									44066	SPRING PIN
ORIGINAL ISSUE	March, 1999	SERIAL NO.								47181	M4 PHILIPS SCREW
										57746	TAPPING SCREW
										66474	M5 SCREW
										66725	M4 SCREW
										67447	M5 SCREW
										68922	WASHER
										72271	BALL JOINT
										72376	BALANCE CAM
										72622	CRANK ROD
										72623	ECCENTRIC CAM
										72629	SLIDE BLOCK
										72631	ECCENTRIC CAM
										72634	CRANK ROD
										72635	ECCENTRIC CAM
										72636	CONNECTING ROD END
										72637	ECCENTRIC CAM
										72638	ECCENTRIC CAM
										72641	LOOPER DRIVING ARM
										72667	BELT PULLEY
										72679	NYLON WASHER
										72780	MAIN SHAFT
										72788	M4 STUD SCREW
										72806	M5 SCREW
72858	WASHER										
73472	COLLAR										
77042	M4 PHILIPS SCREW										
79021	HAND WHEEL										

BUYER'S MODEL NO.	14J334	SECTION	PAGE	REVISION	REMARKS	PART NO.	DESCRIPTION
BUYER'S MODEL NAME		—	2			8400	E5 CLIP-ON-WASHER
FACTORY MODEL	CA05561						32316
ORIGINAL ISSUE	March, 1999	SERIAL NO.				64179	SPRING PIN
						66620	COLLAR
						66725	M4 SCREW
						67447	M5 SCREW
						72271	BALL JOINT
						72341	THRUST WASHER
						72379	ECCENTRIC CAM
						72603	FEED ARM
						72624	FEED BASE
						72625	D.F. FEED BASE
						72626	FEED REGULATING ARM
						72632	FEED REGULATING BLOCK
						72633	SLIDE BLOCK
						72734	WASHER
						72781	SHAFT
						72792	PIN
						72798	PIN
						72802	SHAFT
						72803	SHAFT
						72813	M3.5 SCREW
						72825	TORSION SPRING
77015	REAR FEED DOG						
77016	FRONT FEED DOG						
77039	SLIDE BLOCK						
77042	M4 PHILIPS SCREW						

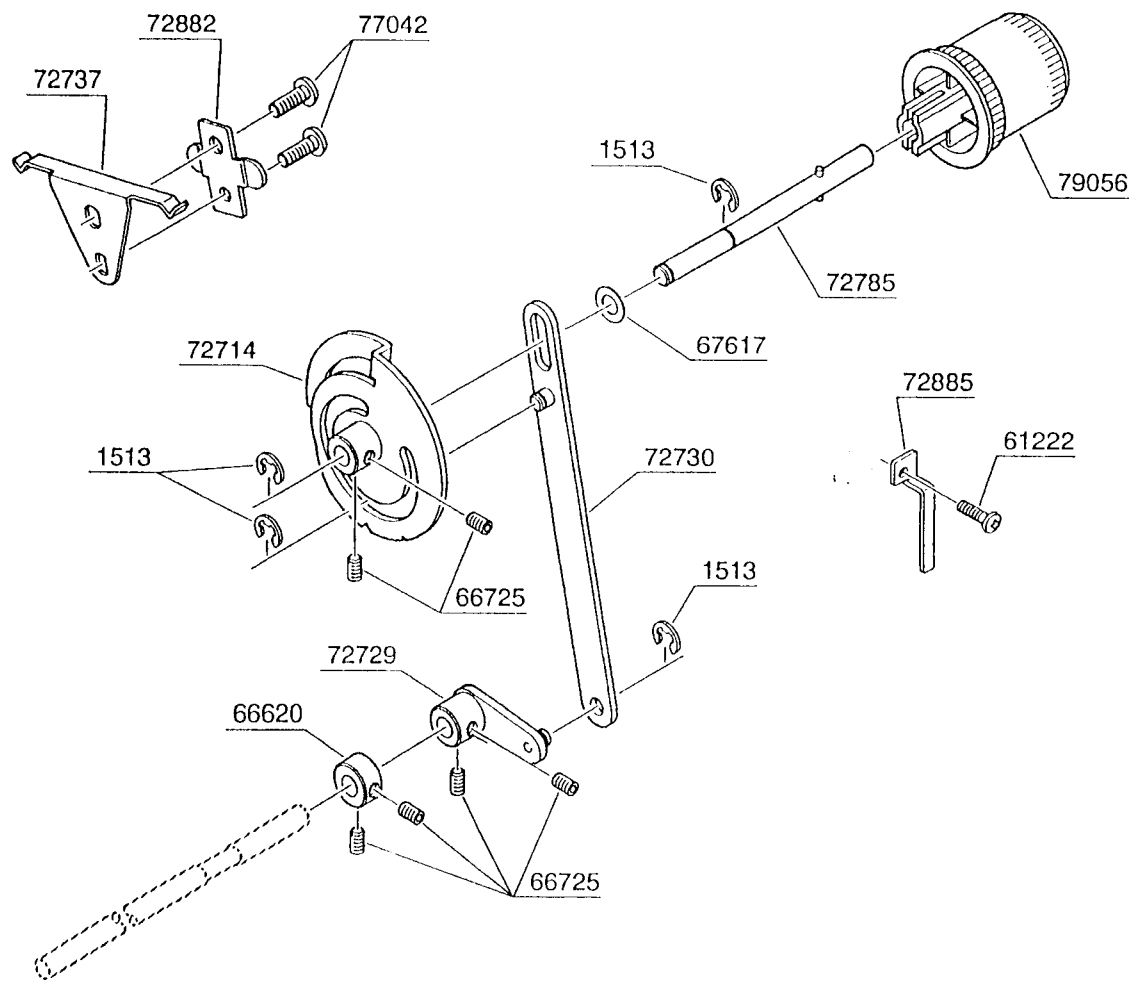
BUYER'S MODEL NO.	14J334	SECTION	PAGE	REVISION	REMARKS	PART NO.	DESCRIPTION
BUYER'S MODEL NAME		—	3			1513	E4 CLIP-ON-WASHER
FACTORY MODEL	CA05561					2206	WASHER
ORIGINAL ISSUE	March, 1999	SERIAL NO.				24133	PIPE KNOCK PIN
						37910	CLIP-ON-WASHER
						43390	THRUST WASHER
						44044	STUD
						61221	M4 PHILIPS SCREW
						64204	M4 PHILIPS SCREW
						66437	BUSH
						66474	M5 SCREW
						66725	M4 SCREW
						67440	CRANK-ROD ARM
						67444	COLLAR
						67447	M5 SCREW
						67455	HOLDER
						67847	#7 SCREW
						72270	NEEDLE CLAMP
						72274	M3 SCREW
						72287	NEEDLE BAR CRANK
						72337	THREAD GUIDE
						72596	NEEDLE
						72612	MAIN SHAFT ARM LEVER
						72750	THREAD GUIDE
						72751	OSCILLATING LEVER
						72752	CONNECTING ARM
72776	THREAD GUIDE						
72777	NEEDLE BAR						
72779	UPPER SHAFT						
72796	PIN						
72797	CENTER PIN						
72855	THREADER POSITIONER						

BUYER'S MODEL NO.	14J334	SECTION	PAGE	REVISION	REMARKS	PART NO.	DESCRIPTION
BUYER'S MODEL NAME		—	4			1513	E4 CLIP-ON-WASHER
FACTORY MODEL	CA05561					8400	E5 CLIP-ON-WASHER
ORIGINAL ISSUE	March, 1999	SERIAL NO.				32316	WASHER



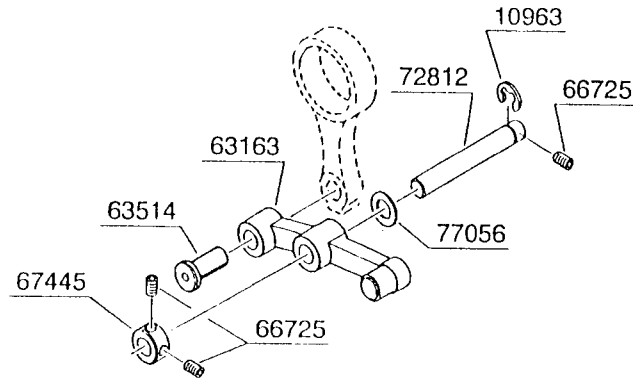
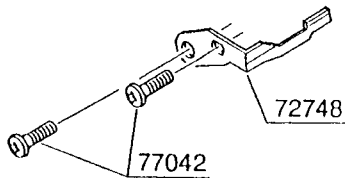
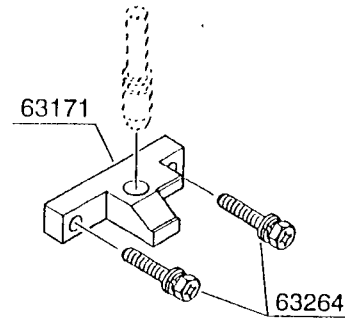
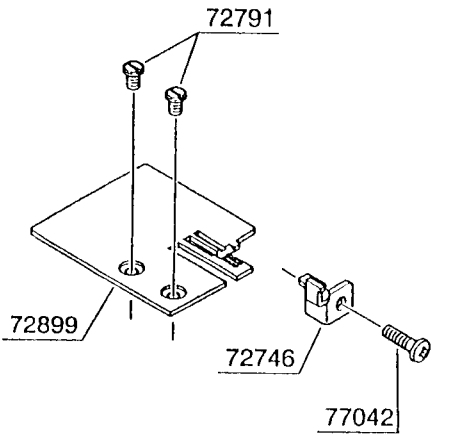
- 1513 E4 CLIP-ON-WASHER
- 8400 E5 CLIP-ON-WASHER
- 32316 WASHER
- 58220 WASHER
- 61221 M4 PHILIPS SCREW
- 62215 M4 NUT
- 63278 PRESSER BAR
- 72326 WASHER
- 72643 PRESSER BAR GUIDE BLOCK
- 72717 BRACKET
- 72720 BRACKET
- 72725 GUIDE PLATE
- 72727 GUIDE PLATE
- 72728 TENSION RELEASE LEVER
- 72766 LIFTER
- 72807 M4 STUD SCREW
- 72829 COMPRESSION SPRING
- 72848 #4 STUD SCREW
- 72849 #7 PHILIPS SCREW
- 74595 M5 SCREW
- 77006 PRESSER FOOT
- 77017 PRESSER FOOT HOLDER
- 77042 M4 PHILIPS SCREW
- 79024 PRESSER CONTROL KNOB
- 79025 PRESSER FOOT LIFTING LEVER

BUYER'S MODEL NO.	14J334	SECTION		PAGE	5	REVISION		REMARKS		PART NO.	DESCRIPTION
BUYER'S MODEL NAME										1513	E4 CLIP-ON-WASHER
FACTORY MODEL	CA05561									61222	M4 PHILIPS SCREW
ORIGINAL ISSUE	March, 1999	SERIAL NO.								66620	COLLAR
										66725	M4 SCREW
										67617	WASHER
										72714	STITCH LENGTH CONTROL CAM
										72729	STITCH LENGTH CONTROL ARM
										72730	CONNECTING PLATE
										72737	LEAF SPRING
										72785	SHAFT
										72882	STOPPER
										72885	STOPPER
										77042	M4 PHILIPS SCREW
										79056	STITCH LENGTH CONTROL DIAL

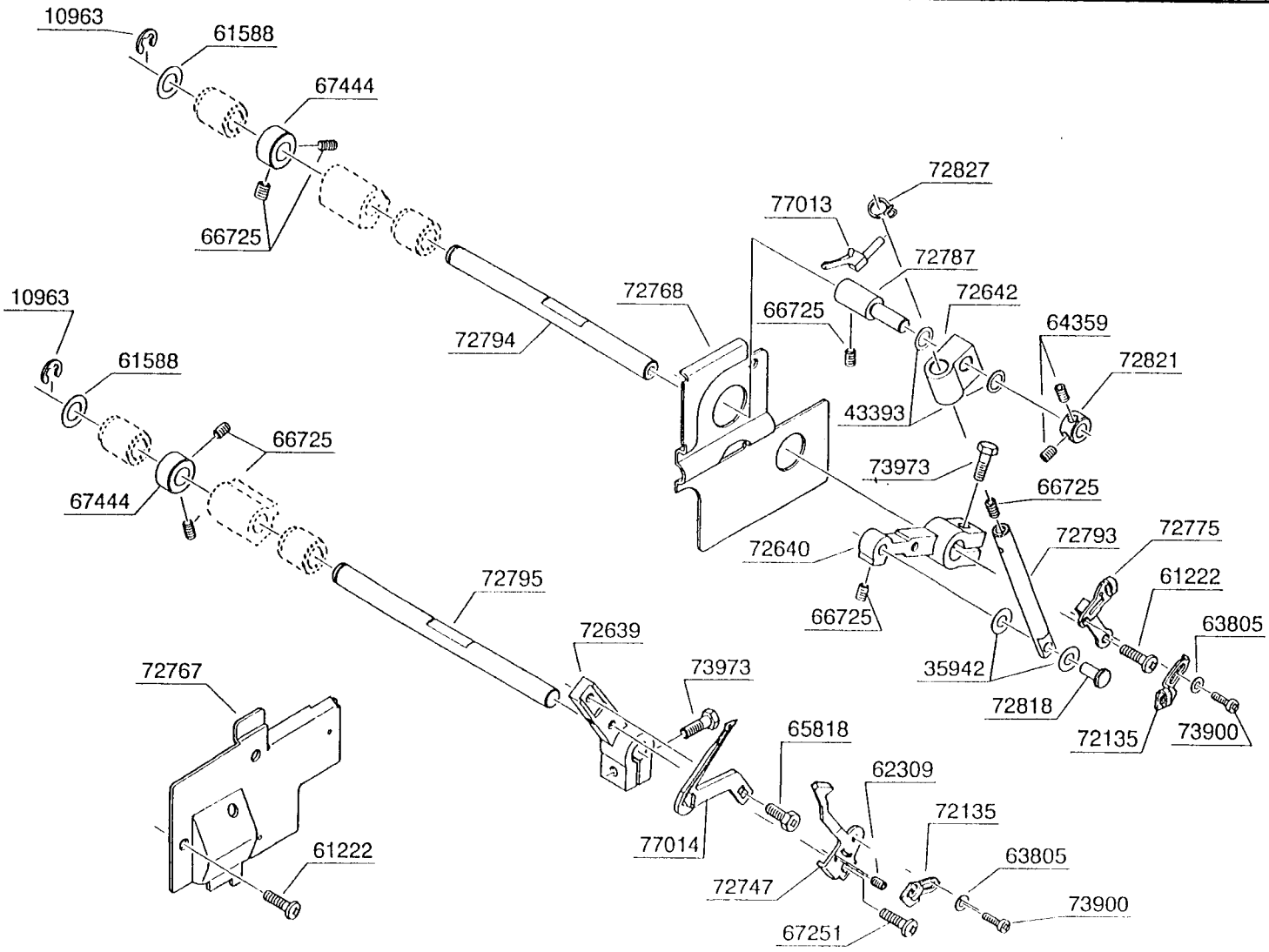


BUYER'S MODEL NO.	14J334	SECTION		PAGE		REVISION		REMARKS		PART NO.	DESCRIPTION
BUYER'S MODEL NAME		—	6							1513	E4 CLIP-ON-WASHER
FACTORY MODEL	CA05561									1520	E3 CLIP-ON-WASHER
ORIGINAL ISSUE	March, 1999	SERIAL NO.								2206	WASHER
										46293	CLIP-ON-WASHER
										62215	M4 NUT
										66352	M4 PHILIPS SCREW
										66437	BUSH
										66620	COLLAR
										66725	M4 SCREW
										72627	FEED CONTROL LOCKING ARM
										72628	D.F. LINK
										72633	SLIDE BLOCK
										72644	SLIDE BLOCK
										72683	D.F. ARM
										72686	CONNECTING ROD
										72731	D.F. ARM (A)
										72733	D.F. ARM (C)
										72735	D.F. ARM (D)
										72736	CONNECTING PLATE
										72786	SHAFT
										72799	PIN
										72800	PIN
										72801	SHAFT
										72804	PIN
										72805	SHAFT
										72835	HOOK FOR SPRING
										72836	EXTENSION SPRING
										72837	TORSION SPRING
										79031	D.F. DIAL

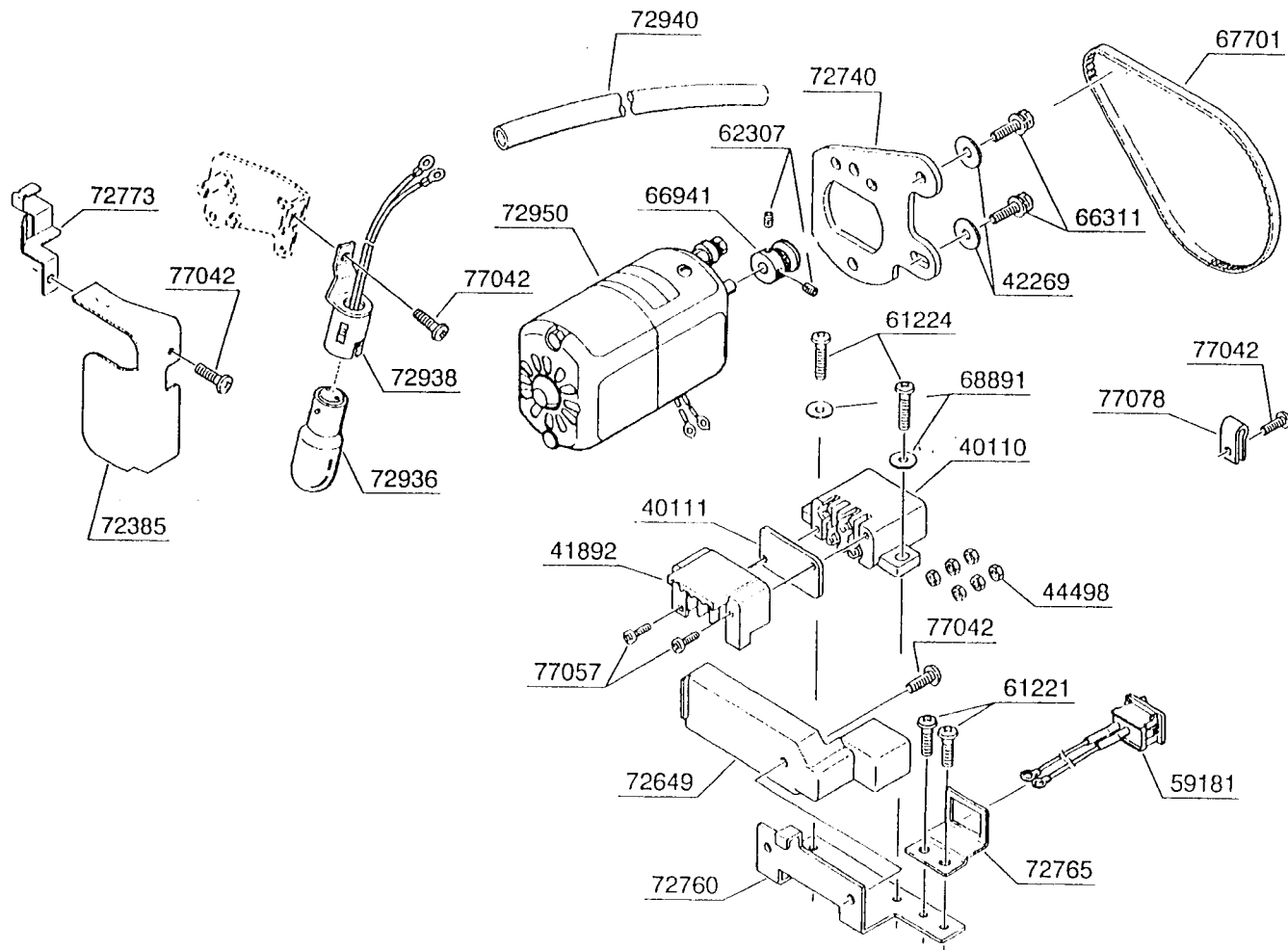
BUYER'S MODEL NO.	14J334	SECTION		PAGE	8	REVISION		REMARKS		PART NO.	DESCRIPTION
BUYER'S MODEL NAME										10963	E6 CLIP-ON-WASHER
FACTORY MODEL	CA05561									63163	KNIFE LEVER ASSEMBLY
ORIGINAL ISSUE	March, 1999	SERIAL NO.								63171	FIXING BASE
										63264	M5 BOLT WITH WASHER
										63514	STUD
										66725	M4 SCREW
										67445	COLLAR
										72746	NEEDLE PLATE HOLDER
										72748	NEEDLE RECEIVER (B)
										72791	M4 SCREW
										72812	SHAFT
										72899	NEEDLE PLATE
										77042	M4 PHILIPS SCREW
										77056	WASHER



BUYER'S MODEL NO.	14J334	SECTION		PAGE	9	REVISION		REMARKS		PART NO.	DESCRIPTION
BUYER'S MODEL NAME										10963	E6 CLIP-ON-WASHER
FACTORY MODEL	CA05561									35942	THRUST WASHER
ORIGINAL ISSUE	March, 1999	SERIAL NO.								43393	WASHER
										61222	M4 PHILIPS SCREW
										61588	WASHER
										62309	M3 SCREW
										63805	WASHER
										64359	M4 SCREW
										65818	M4 BOLT
										66725	M4 SCREW
										67251	M3.5 PHILIPS SCREW
										67444	COLLAR
										72135	THREAD GUIDE (B)
										72639	LOOPER BASE
										72640	UPPER LOOPER SUPPORTING ARM
										72642	PIVOT
										72747	NEEDLE RECEIVER (A)
										72767	BED COVER
										72768	LOOPER COVER
										72775	THREAD GUIDE (A)
										72787	PIN
										72793	LOOPER SLIDE SHAFT
										72794	SHAFT
										72795	SHAFT
										72818	PIN
										72821	COLLAR
										72827	THREAD GUIDE
										73900	M3 PHILIPS SCREW
										73973	M4 BOLT
										77013	UPPER LOOPER
										77014	LOWER LOOPER

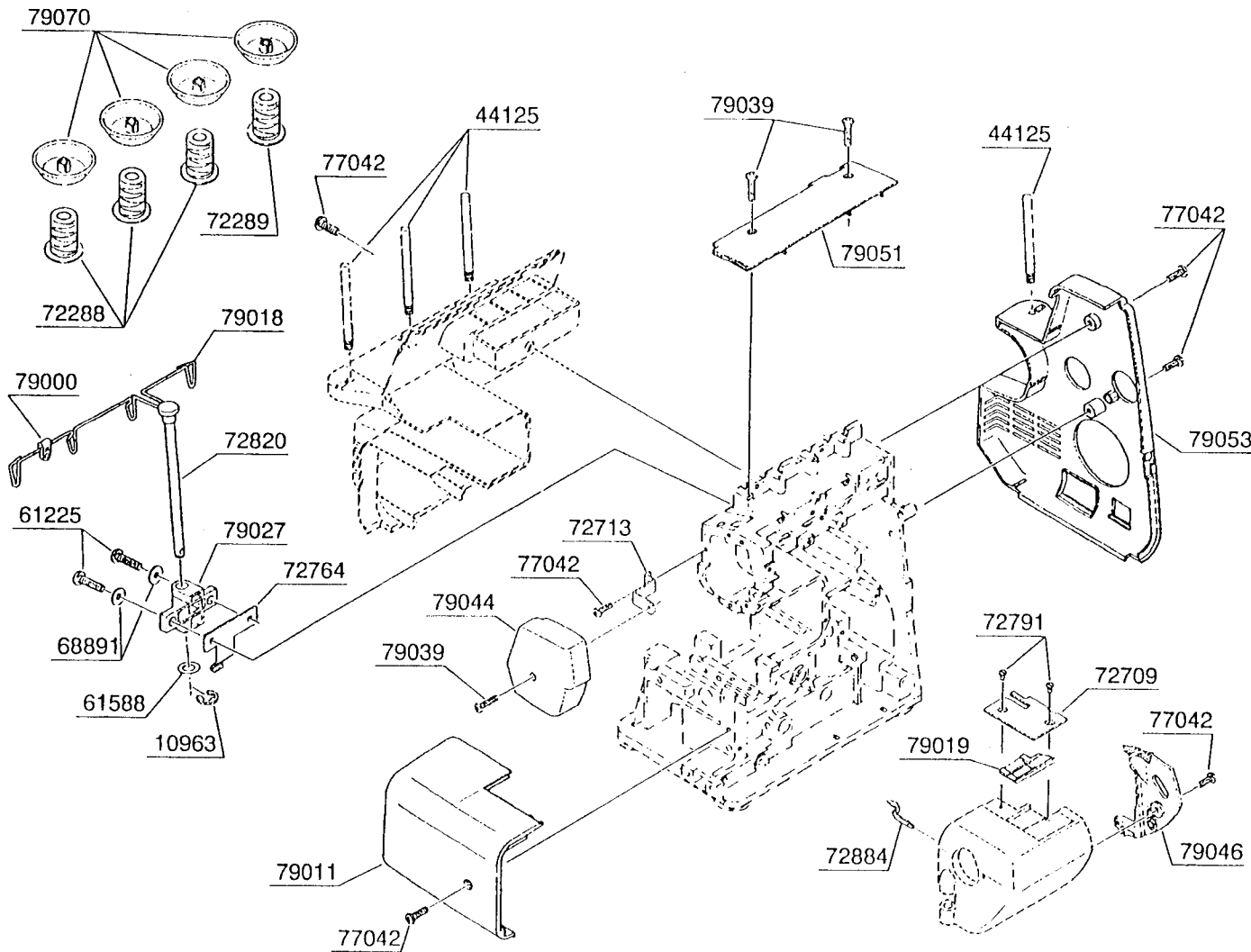


BUYER'S MODEL NO.	14J334	SECTION	PAGE	REVISION	REMARKS	PART NO.	DESCRIPTION
BUYER'S MODEL NAME		—	10			40110	TERMINAL BLOCK
FACTORY MODEL	CA05561					41892	TERMINAL BLOCK COVER
ORIGINAL ISSUE	March, 1999	SERIAL NO.				42269	WASHER



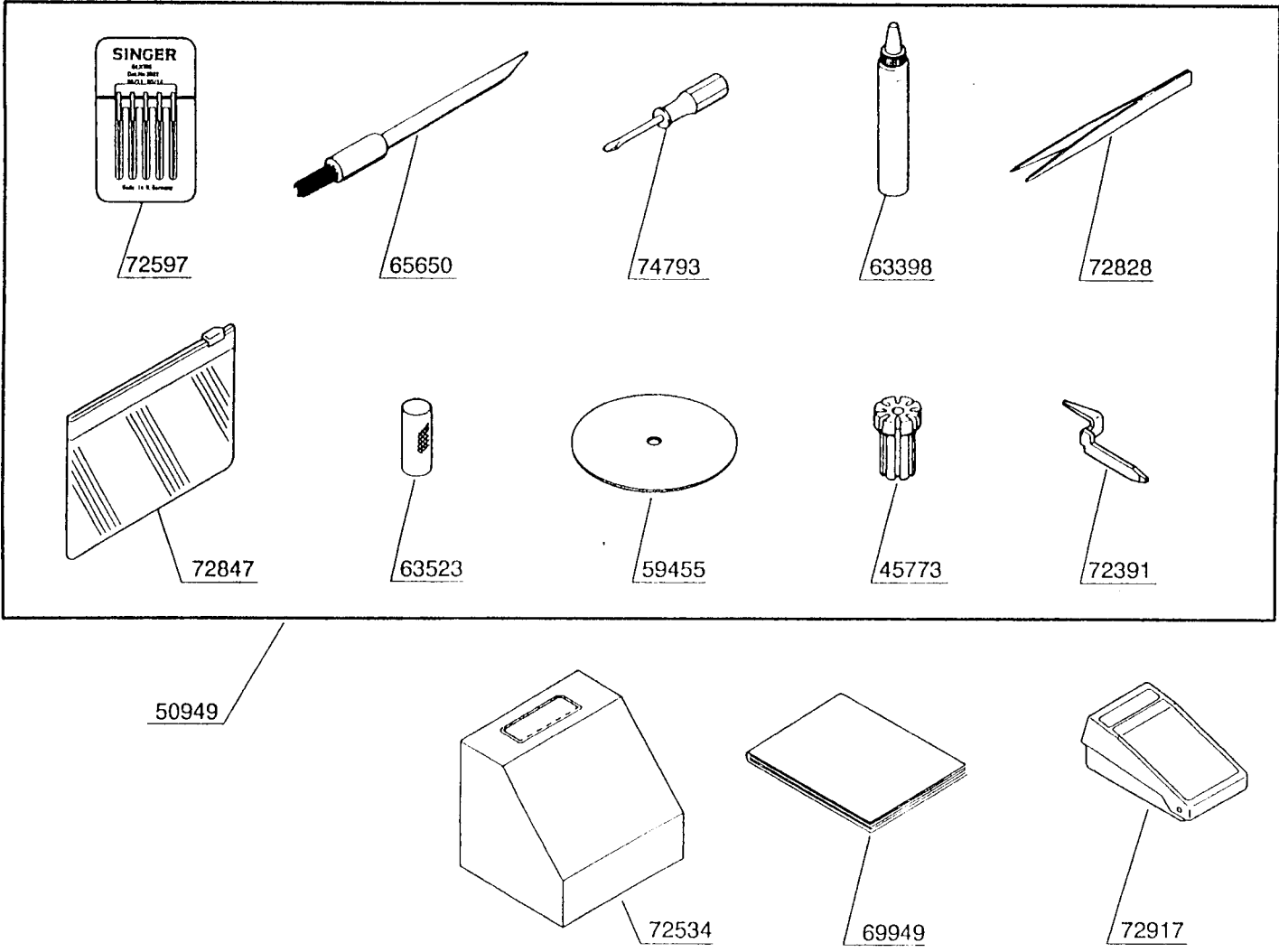
40110	TERMINAL BLOCK
40111	TERMINAL BLOCK COVER
41892	TERMINAL BLOCK COVER
42269	WASHER
44498	M3 NUT
59181	SWITCH ASSEMBLY
61221	M4 PHILIPS SCREW
61224	M4 PHILIPS SCREW
62307	M4 SCREW
66311	M5 BOLT WITH WASHER
66941	MOTOR PULLEY
67701	TIMING BELT
68891	WASHER
72385	REFLECTION PLATE
72649	TERMINAL CASE
72740	VINYL TUBE
72760	TERMINAL BRACKET
72765	SWITCH BRACKET
72773	CORD GUIDE
72936	LIGHT BULB
72938	HARNESS
72940	MOTOR BRACKET
72950	MOTOR
77042	M4 PHILIPS SCREW
77057	M3 PHILIPS SCREW
77078	CORD GUARD

BUYER'S MODEL NO.	14J334	SECTION	PAGE	REVISION	REMARKS	PART NO.	DESCRIPTION
BUYER'S MODEL NAME		—	11			10963	E6 CLIP-ON-WASHER
FACTORY MODEL	CA05561					44125	SPOOL PIN
ORIGINAL ISSUE	March, 1999	SERIAL NO.				61225	M4 PHILIPS SCREW
						61588	WASHER
						68891	WASHER
						72288	THREAD
						72289	THREAD
						72709	LOVER PLATE
						72713	BRACKET
						72764	LEAF SPRING
						72791	M4 SCREW
						72820	EXTENSION BAR
						72884	DETACHABLE INSERT PLATE
						77042	M4 PHILIPS SCREW
						79000	DETACHABLE CORD GUIDE
						79011	BED COVER
						79018	THREAD GUIDE
						79019	GUIDE PLATE
						79027	HOLDER
						79039	M4 PHILIPS SCREW
						79044	FACE COVER
						79046	SHUTTER
						79051	TOP COVER
						79053	SIDE COVER
						79070	SPOOL PIN CAP



BUYER'S MODEL NO.	14J334	SECTION	PAGE	REVISION	REMARKS	PART NO.	DESCRIPTION
BUYER'S MODEL NAME		—	12			8400	E5 CLIP-ON-WASHER
FACTORY MODEL	CA05561						39160
ORIGINAL ISSUE	March, 1999	SERIAL NO.				55599	SPRING PIN
						58024	TAPPING SCREW
						72879	M4 PHILIPS SCREW
						64618	TAPPING SCREW
						65736	M4 PHILIPS SCREW
						72344	SHAFT
						72347	PRESSER DISC RECEIVER
						72348	COMPRESSION SPRING
						72349	COMPRESSION SPRING
						72350	TOOTHED WASHER
						72351	TORSION SPRING
						72369	D.T. GUIDE PLATE
						72395	THREAD GUIDE
						72726	DIAL TENSION DISC (B)
						72749	DIAL TENSION DISC (A)
						72757	THREAD GUIDE (A)
						72761	PRESSER DISC
						72830	COMPRESSION SPRING
						72831	COMPRESSION SPRING
						72840	SPONGE
						72842	THREADING SHEET
						72871	MOUNTING BRACKET
						72875	THREAD GUIDE PLATE
						72879	THREAD GUIDE
						72891	THREAD GUIDE
						72892	BUSHING
						77042	M4 PHILIPS SCREW
						79002	D.T. DIAL

BUYER'S MODEL NO.	14J334	SECTION		PAGE	13	REVISION		REMARKS		PART NO.	DESCRIPTION
BUYER'S MODEL NAME										1520	E3 CLIP-ON-WASHER
FACTORY MODEL	CA05561									39160	TAPPING SCREW
ORIGINAL ISSUE	March, 1999	SERIAL NO.								61224	M4 PHILIPS SCREW
										68891	WASHER
										72598	RUBBER CUSHION
										72662	BASE
										72681	COMPRESSION SPRING
										72753	HINGED BRACKET (A)
										72754	HINGED BRACKET (B)
										72808	SHAFT
										72841	SPONGE HOLDER
										77042	M4 PHILIPS SCREW
										79045	FRONT COVER
79047	LINT BOX										
79052	INNER ATTACHMENT CASE										

BUYER'S MODEL NO.	14J334	SECTION	—	PAGE	14	REVISION		REMARKS		PART NO.	DESCRIPTION
BUYER'S MODEL NAME										45773	CUSHION HOLDER
FACTORY MODEL	CA05561									50949	ACCESSORY SET
ORIGINAL ISSUE	March, 1999	SERIAL NO.								59455	EXTENSION PLATE
										63398	SEWING MACHINE OIL NET
										65650	CLEANING BRUSH
										69949	BOOK(ENG.,SPA.)
										72391	STITCH FINGER
										72534	DUST COVER
										72597	NEEDLE SET
										72828	TWEEZERS
										72847	ACCESSORY VINYL BAG
										72917	FOOT CONTROL
										74793	SMALL SCREW DRIVER