

SINGER
14U234B

PARTS LIST

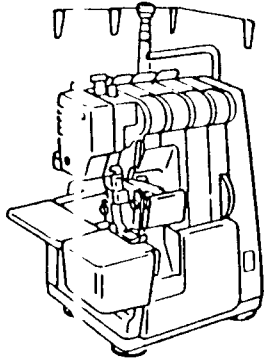
SINGER*

14U234B

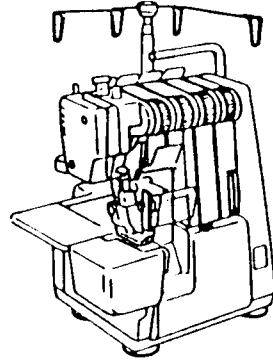
* A Trademark of THE SINGER COMPANY
Copyright ©1990 SINGER SEWING MACHINE COMPANY
All Rights Reserved Throughout The World

INDEX

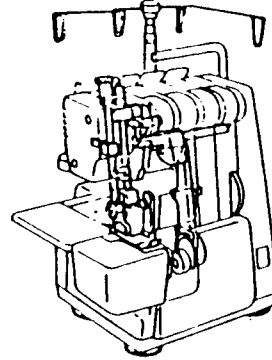
1



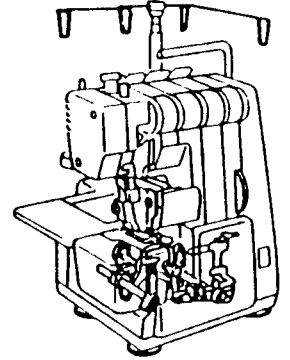
2



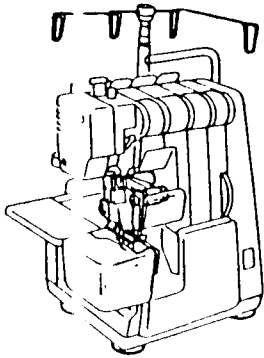
3



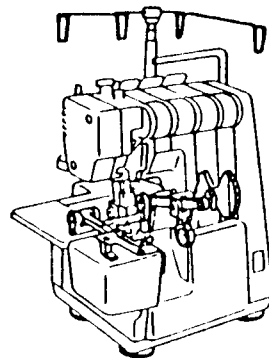
4



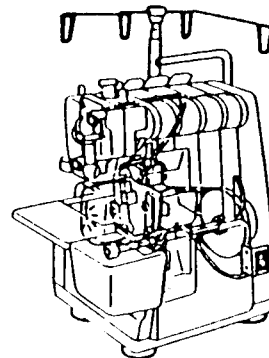
5



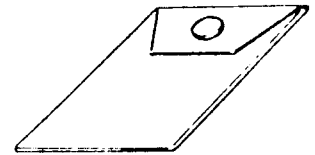
6



7

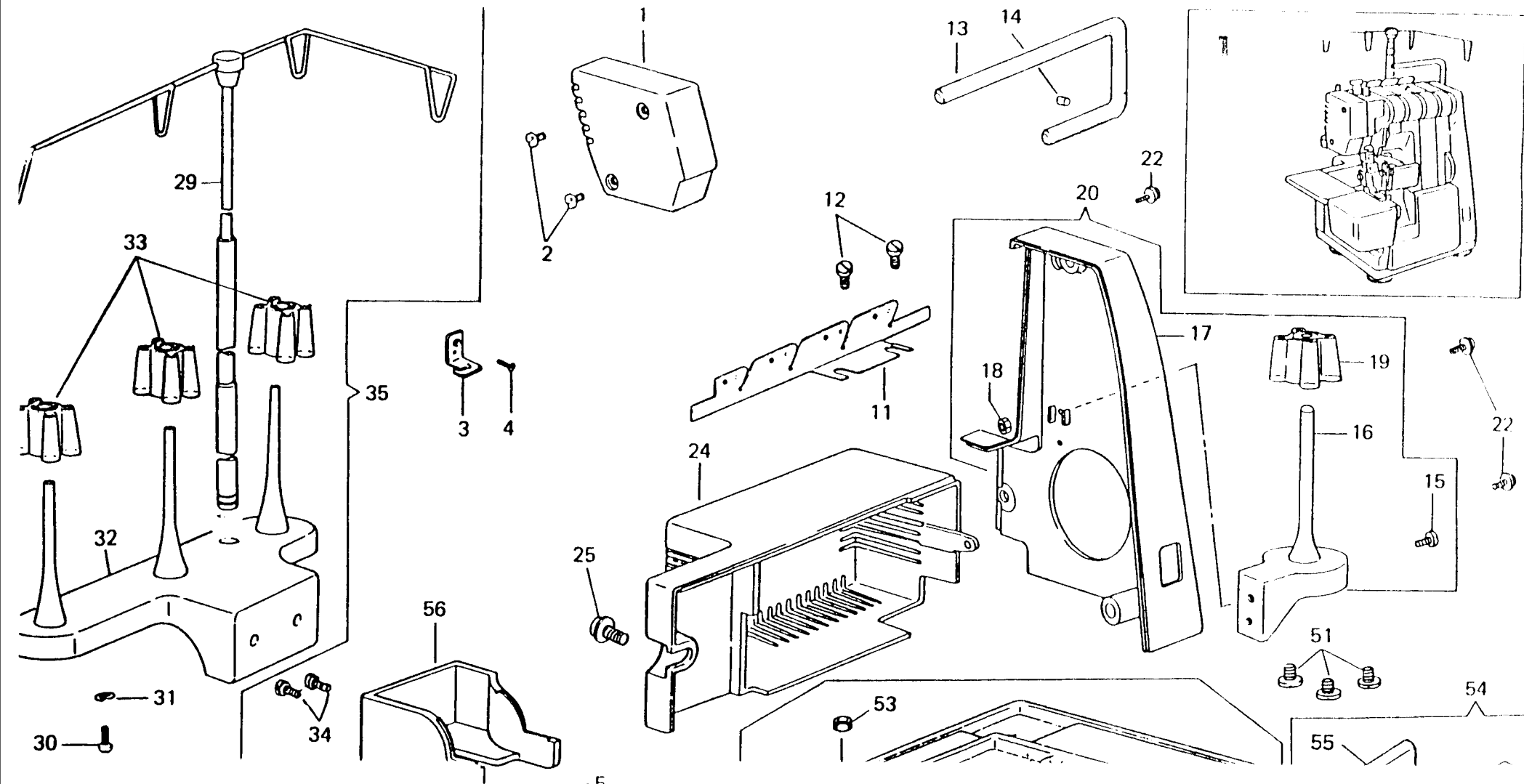


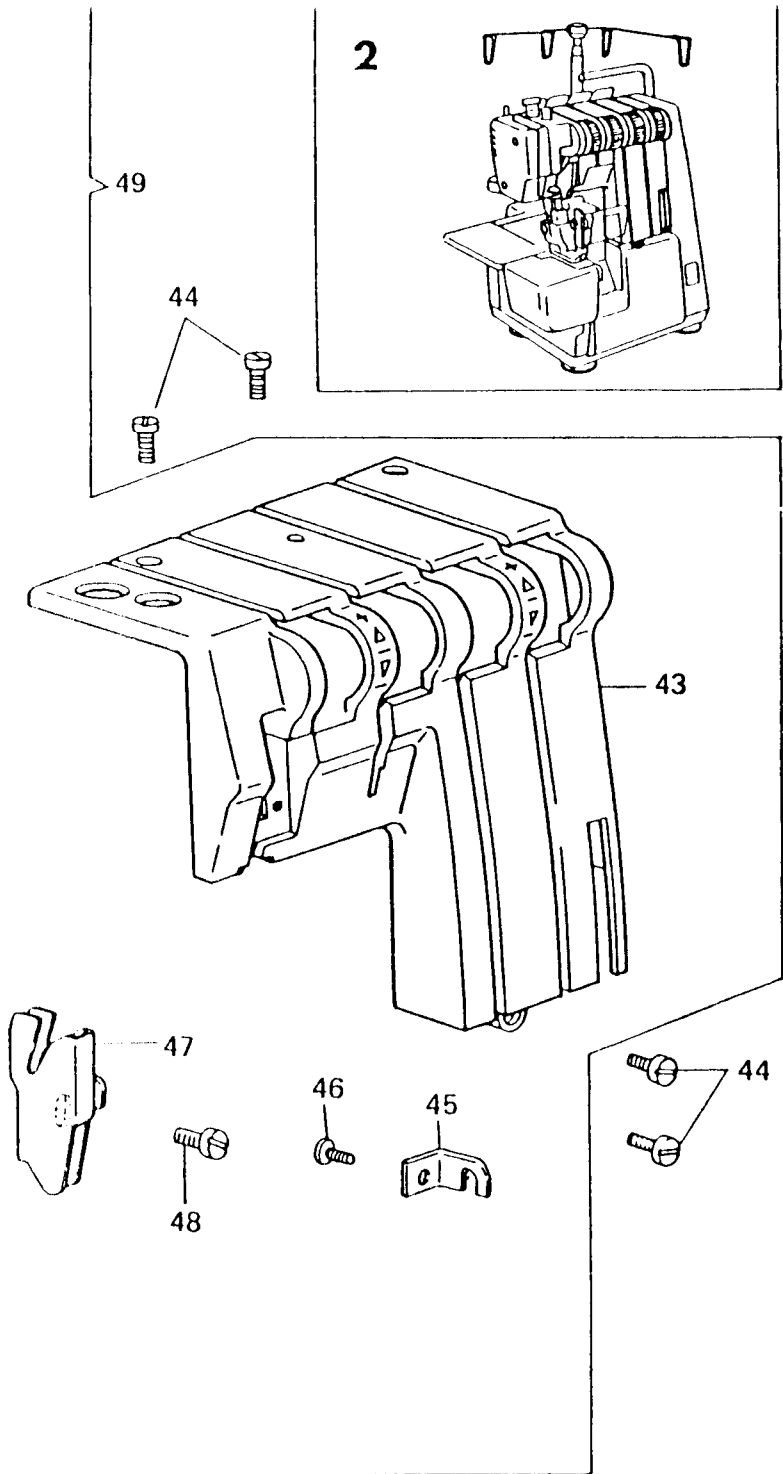
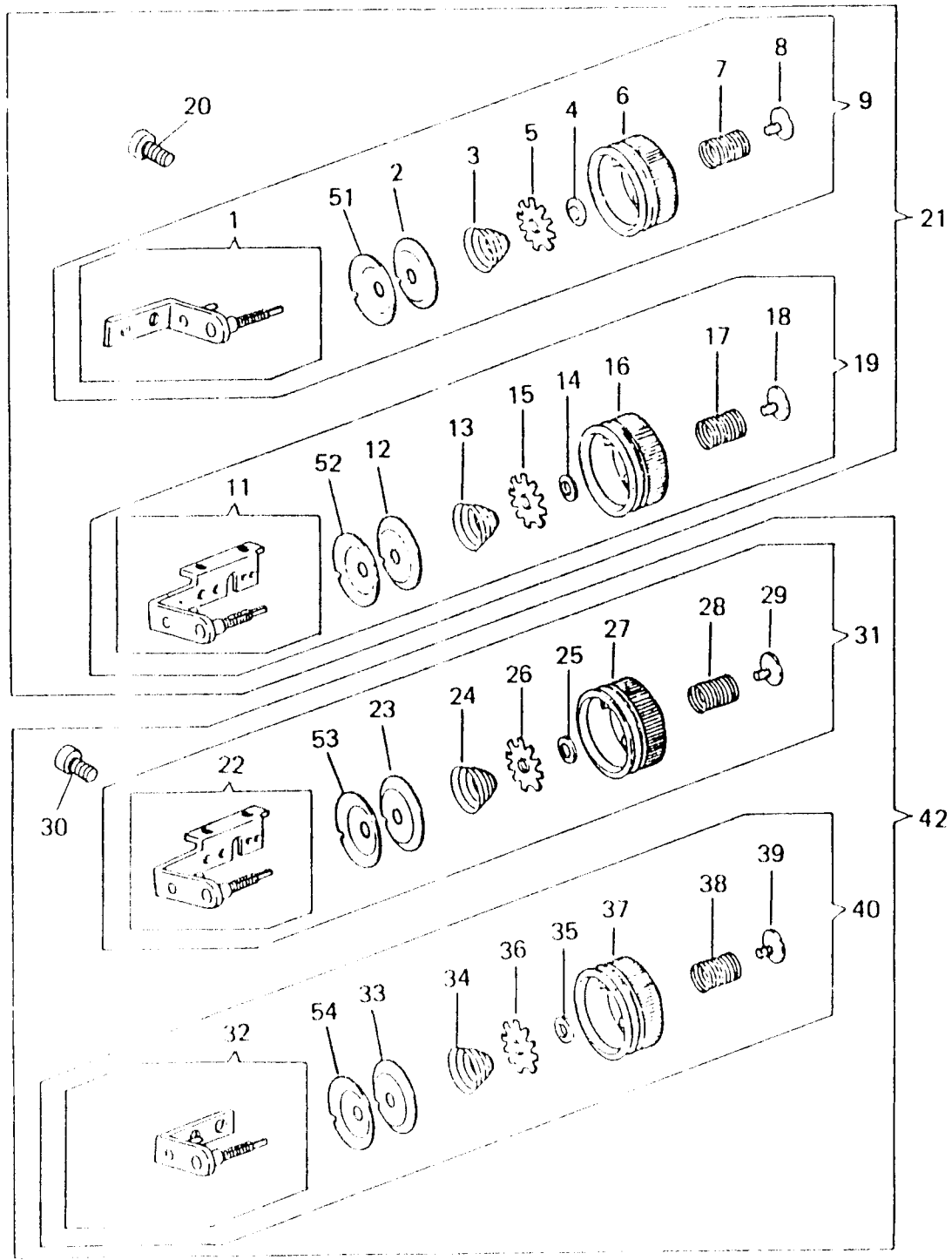
8



9

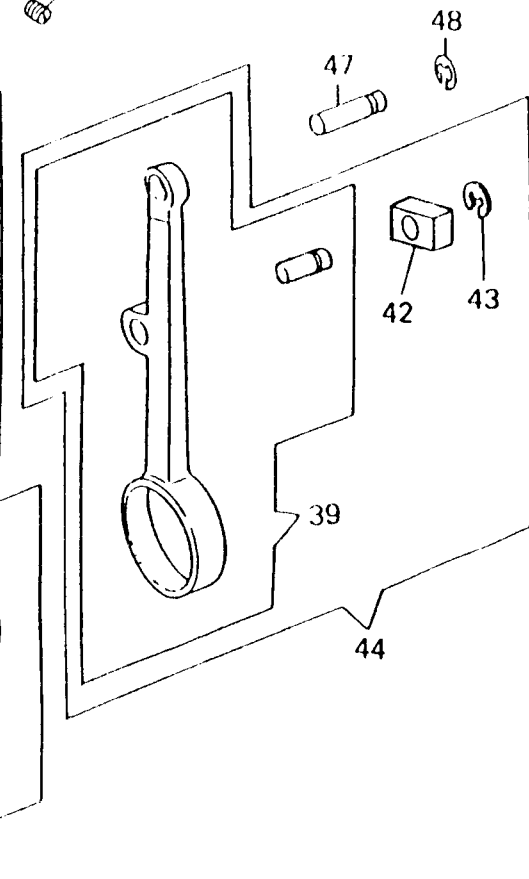
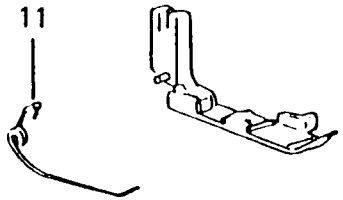
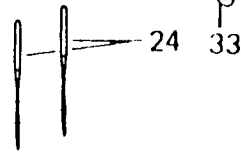
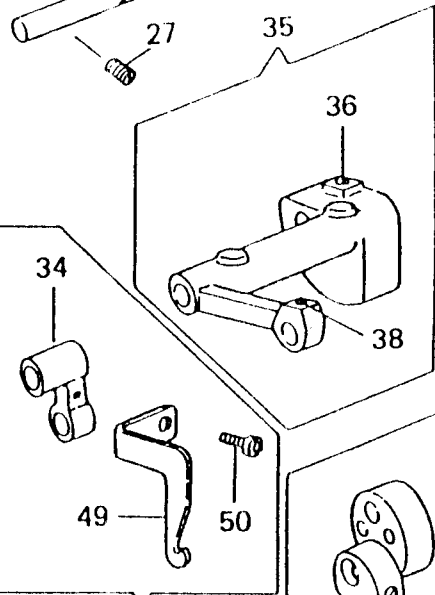
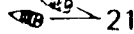
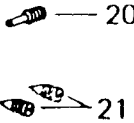
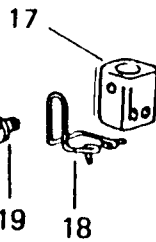
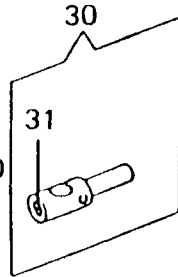
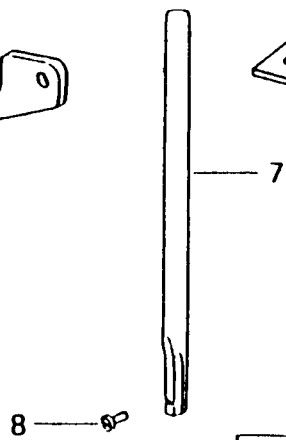
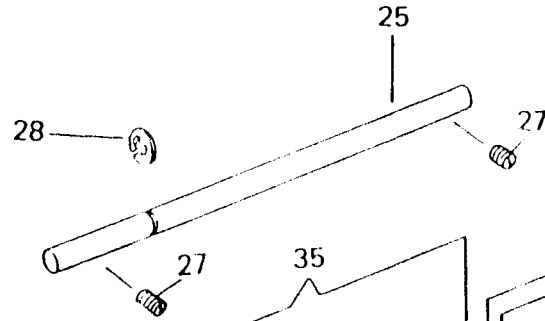
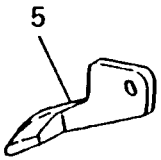
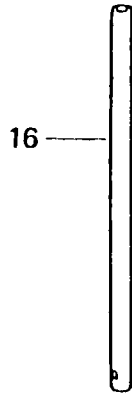
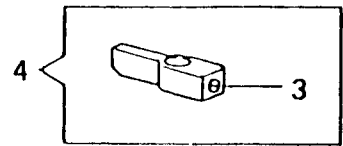
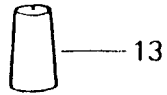
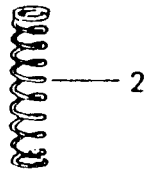
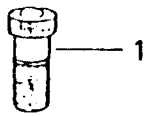
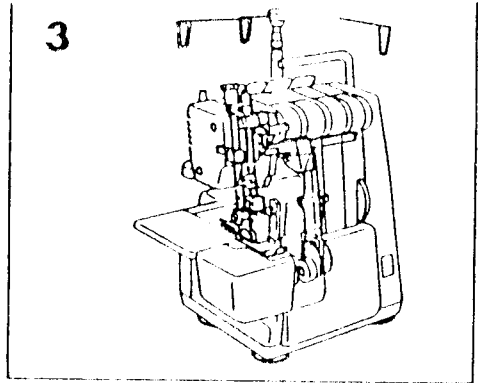
DIFFERENTIAL FEED



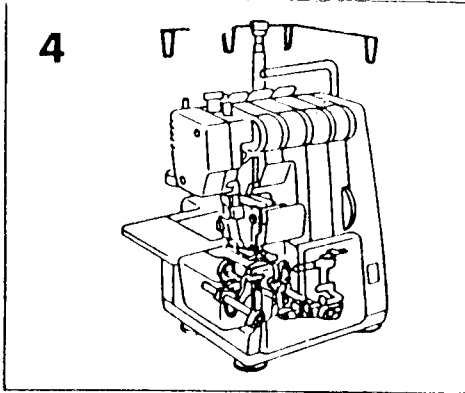
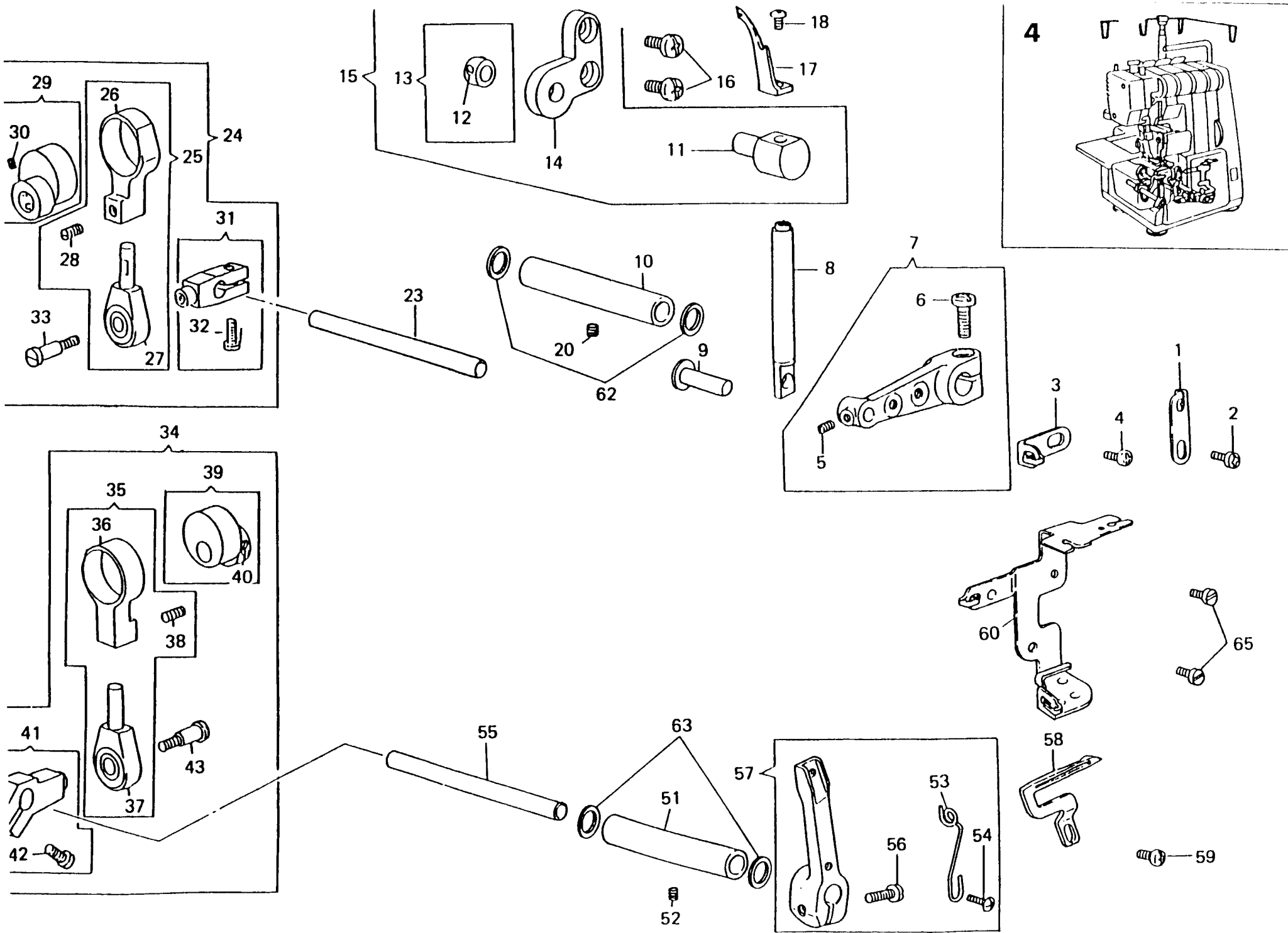


	PART NO.	DESCRIPTION		PART NO.	DESCRIPTION
	1 412735-002	Light Cover	39	546623	Convertible Bed Plate Stud Retaining Ring(2)
	2 544212-072	Light Cover Screw(2)			
	3 412534	Needle Thread Guide	41	546623	Convertible Bed Plate Latch Retaining Ring
	4 544258	Needle Thread Guide Screw	42	376786	Convertible Bed Plate Latch Spring
			43	381874-451	Convertible Bed Plate Latch
			44	544203-001	Convertible Bed Plate Stud-Screw
			45	412682	Cylinder Cover Spring
			46	412697	Cylinder Cover Spring Clamping Screw
			47	412706-002	Cylinder Cover Comp.
			48	410208	Machine Base Cushion(4)
11	410209	Thread Guide Plate	49	543803-004	Machine Base Cushion Screw Washer(4)
12	544212-001	Thread Guide Plate Set Screw(2)	50	544218-002	Machine Base Cushion Screw(4)
13	410202	Handle	51	544214-005	Machine Base Screw(3)
14	544204-005	Handle Set Screw	52	376794-002	Machine Base Comp.
15	544212-004	Thread Unwinder (small) Screw	53	541166-001	Machine Base Cushion Nut(4)
16	376779-002	Thread Unwinder (small)	54	376823-021	Looper Cover Comp.
17	412750-002	Pulley Cover	55	376825-022	Looper Cover
18	541165-001	Thread Unwinder (small) Screw Nut	56	412736-002	Transformer Cover
19	546893	Spool Holder (cone holder)	57	544270-001	Transformer Cover Screw(2)
20	412766-002	Pulley Cover Comp.	58	376717	Looper Cover Hinge Spring
			59	410239	Looper Cover Hinge Pin
22	544270-001	Pulley Cover Screw(3)			
			61	543804-003	Cylinder Cover Spring Clamping Screw Washer
24	410248-003	Motor Cover			
25	544270-001	Motor Cover Screw	63	376763-002	Threading Chart
			65	376793-002	Machine Base
29	412519	Thread Unwinder Thread Guide Rod Comp.			
30	544212-003	Thread Unwinder Thread Guide Rod Screw			
31	543805-003	Thread Unwinder Thread Guide Rod Screw Washer			
32	410389-902	Thread Unwinder Comp.			
33	546893	Spool Holder(3)			
34	544213-001	Thread Unwinder Comp.Screw(2)			
35	376834-002	Thread Unwinder Comp.			
36	376781-002	Convertible Bed Plate Comp.			
37	376780-902	Convertible Bed Plate (body)			
38	376785	Convertible Bed Plate Stud			

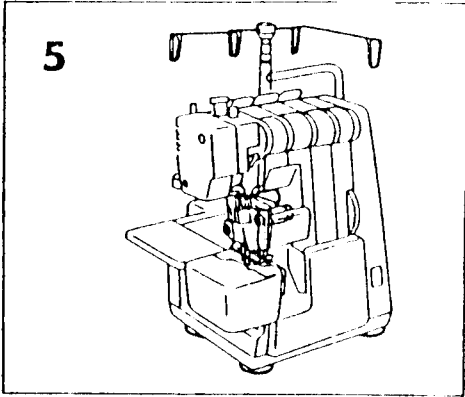
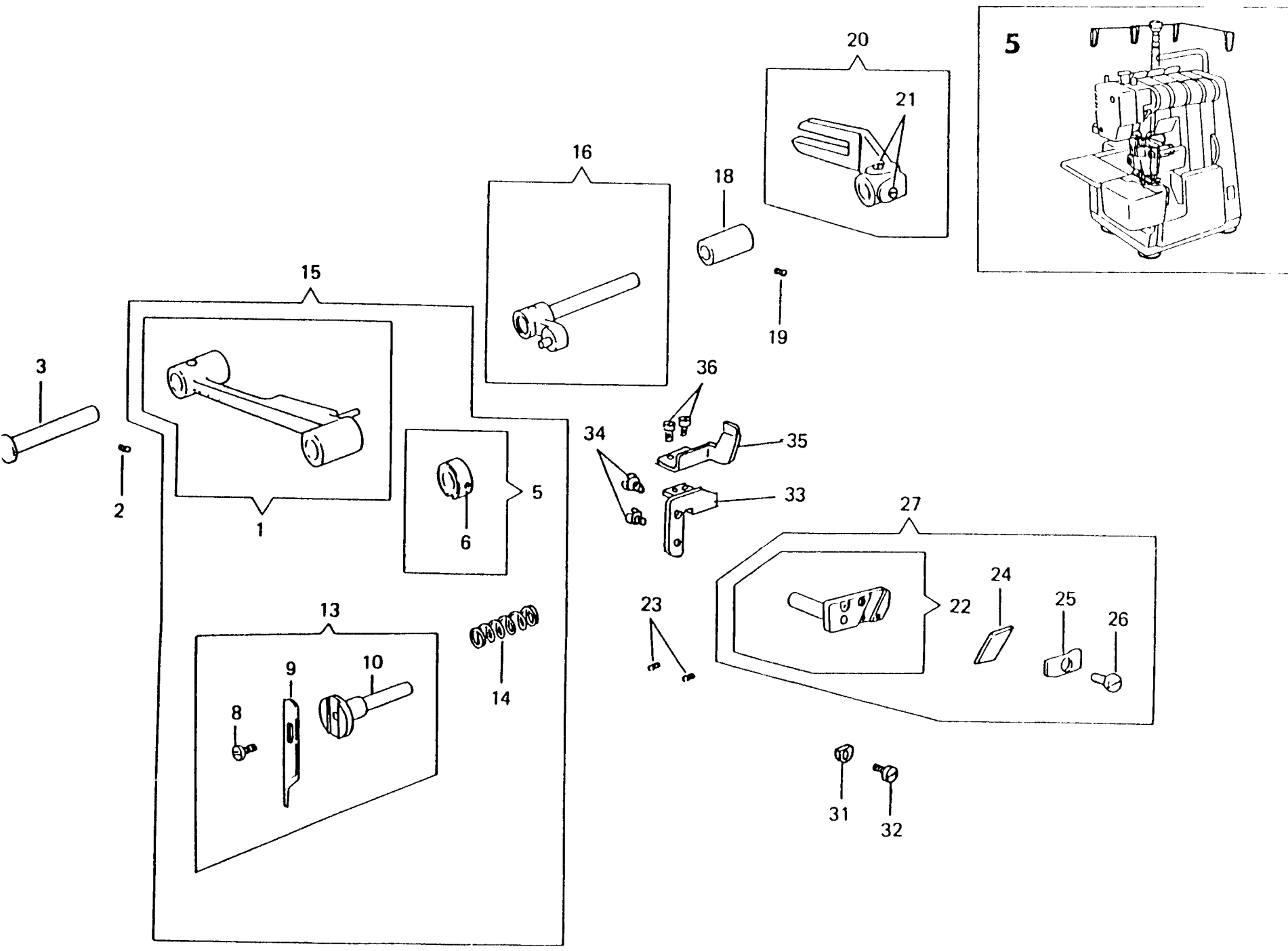
	PART NO.	DESCRIPTION		PART NO.	DESCRIPTION
1	376818	One Turn Tension Dial Bracket (right) Comp.	39	544265	Tension Dial Presser Spring Screw
2	410226	Tension Disc	40	376585	One Turn Tension Dial Comp. (N) (right) (for 2 needle)
3	376620	Tension Disc Spring	41	412697-002	Tension Dial Comp. Screw (2)
4	412696	Washer	42	376598	One Turn Tension Dial Comp. (N) (for 2 needle)
5	370289	Tension Disc Spring Nut	43	412754-006	Front Cover (body) Comp. (for 2 needle)
6	376582-460	Tension Dial Comp.	44	544212-073	Front Cover Screw (4)
7	410230	Tension Dial Presser Spring	45	412531	Front Cover Thread Guide (small)
8	544265	Tension Dial Presser Spring Screw	46	412697-002	Front Cover Thread Guide (small) Screw
9	376587	One Turn Tension Dial Comp. (L) (right)	47	412751	Front Cover Thread Guide (for 2 needle)
10	412697-002	Tension Dial Comp. Screw (2)	48	412697	Front Cover Thread Guide Screw
11	376817	One Turn Tension Dial Bracket (left) Comp.	49	376829-003	Front Cover Comp. (for 2 needle)
12	410226	Tension Disc			
13	376619	Tension Disc Spring	51	376566	Tension Disc (with Dent)
14	412696	Washer	52	376566	Tension Disc (with Dent)
15	370289	Tension Disc Spring Nut	53	376566	Tension Disc (with Dent)
16	376582-459	Tension Dial Comp.	54	376566	Tension Disc (with Dent)
17	410230	Tension Dial Presser Spring			
18	544265	Tension Dial Presser Spring Screw			
19	376586	One Turn Tension Dial Comp. (L) (left)			
20	544212-001	Tension Dial Bracket (left) Set Screw			
21	376597	One Turn Tension Dial Comp. (L)			
22	376817	One Turn Tension Dial Bracket (left) Comp.			
23	410226	Tension Disc			
24	412680	Tension Disc Spring			
25	412696	Washer			
26	370289	Tension Disc Spring Nut			
27	376582-461	Tension Dial Comp.			
28	410230	Tension Dial Presser Spring			
29	544265	Tension Dial Presser Spring Screw			
30	544212-001	Tension Dial Bracket (left) Set Screw			
31	376583	One Turn Tension Dial Comp. (N) (left)			
32	370245	One Turn Tension Dial Bracket (right) Comp.			
33	410226	Tension Disc			
34	412680	Tension Disc Spring			
35	412696	Washer			
36	370289	Tension Disc Spring Nut			
37	376582-462	Tension Disc Comp.			
38	410230	Tension Dial Presser Spring			



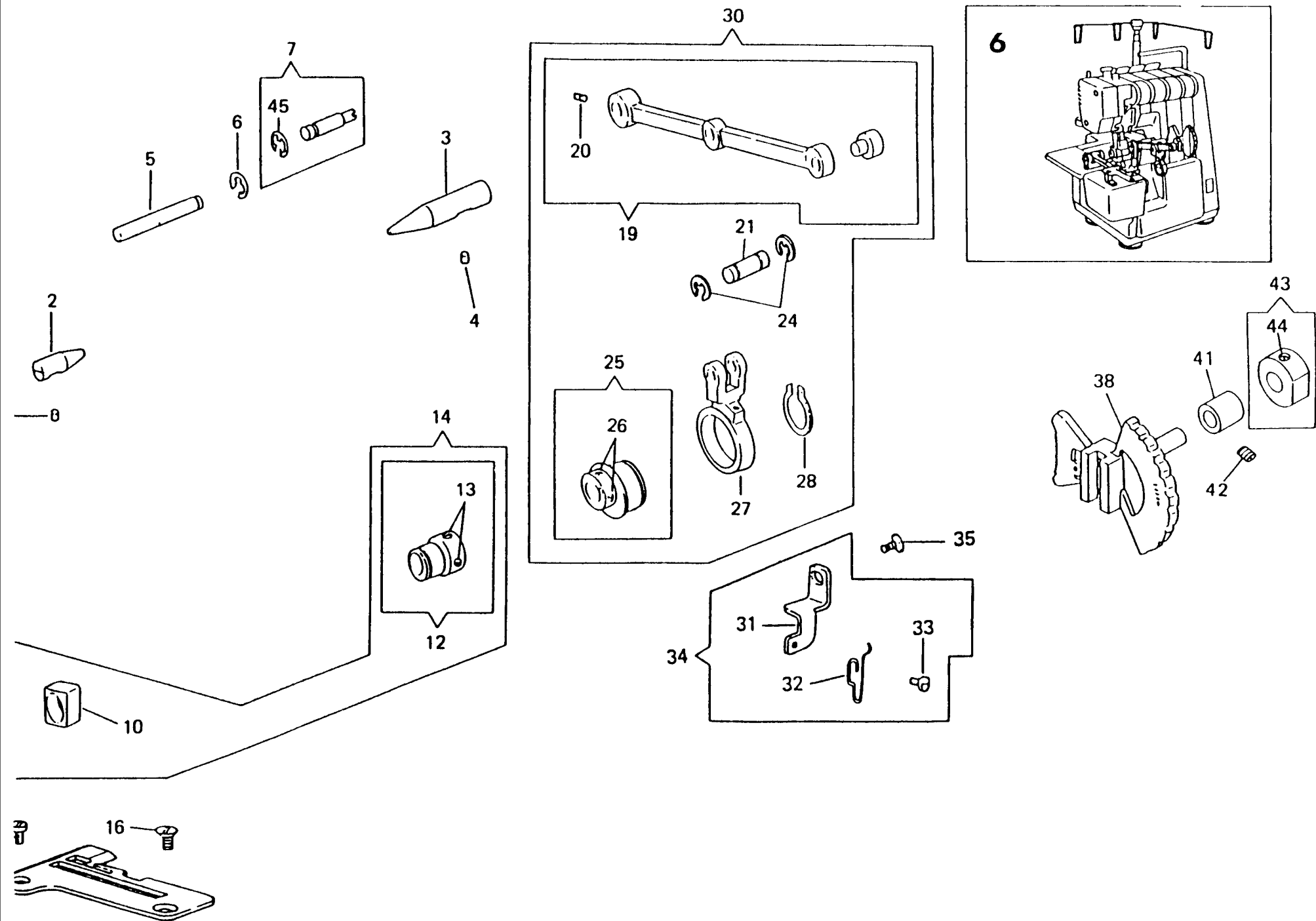
PART NO.	DESCRIPTION	PART NO.	DESCRIPTION
1	544262-101 Presser Regulating Thum Screw	39	370243 Needle Bar Crank Rod Comp.
2	410355 Presser Bar Spring		
3	544204-001 Presser Bar Guide Bracket Screw		
4	410352 Presser Bar Guide Bracket Comp.	42	511030 Needle Bar Crank Rod Slide Block
5	412787-100 Presser Bar Lifter	43	543801-006 Needle Bar Crank Rod Slide Block Pin Retaining Ring
6	544441 Presser Bar Lifter Screw Stud	44	370242 Needle Bar Crank Rod Comp.
7	410351 Presser Bar	45	410329 Needle Bar Eccentric Cam Comp.
8	504063-451 Presser Foot Screw	46	544204-002 Needle Bar Eccentric Cam Set Screw(2)
9	376827 Presser Foot Comp.	47	410340 Needle Bar Crank Rod Pin
		48	543801-006 Needle Bar Crank Rod Pin Retaining Ring
11	410348 Presser Foot Spring	49	370274 Striker
		50	544211-051 Striker Screw
13	410322-100 Needle Bar Bushing (upper) Cap	51	370275 Needle Bar Connecting Link Comp.
14	410323 Needle Bar Bushing (upper)		
		53	376567 Presser Bar Felt
16	376844 Needle Bar		
17	376520 Needle Clamp		
18	376848 Needle Bar Thread Guide		
19	544211-059 Needle Bar Thread Guide Set Screw		
20	374102 Needle Bar Set Screw		
21	374364 Needle Set Screw (2)		
23	410324 Needle Bar Bushing (lower)		
24	N2054 42-14 Needle (#14) (2)		
25	376814 Arm Shaft		
27	544204-002 Arm Shaft Set Screw(2)		
28	543801-007 Arm Shaft Retaining Ring		
30	410325 Needle Bar Connecting Stud Comp.		
31	544044 Needle Bar Connecting Stud Screw		
32	410340 Needle Bar Connecting Link Pin		
33	543801-006 Needle Bar Connecting Link Pin Retaining Ring		
34	410327 Needle Bar Connecting Link		
35	412707-001 Needle Bar Crank Comp.		
36	544203-001 Needle Bar Crank Rod Pin Screw		
38	544203-001 Needle Bar Connecting Link Pin Screw		



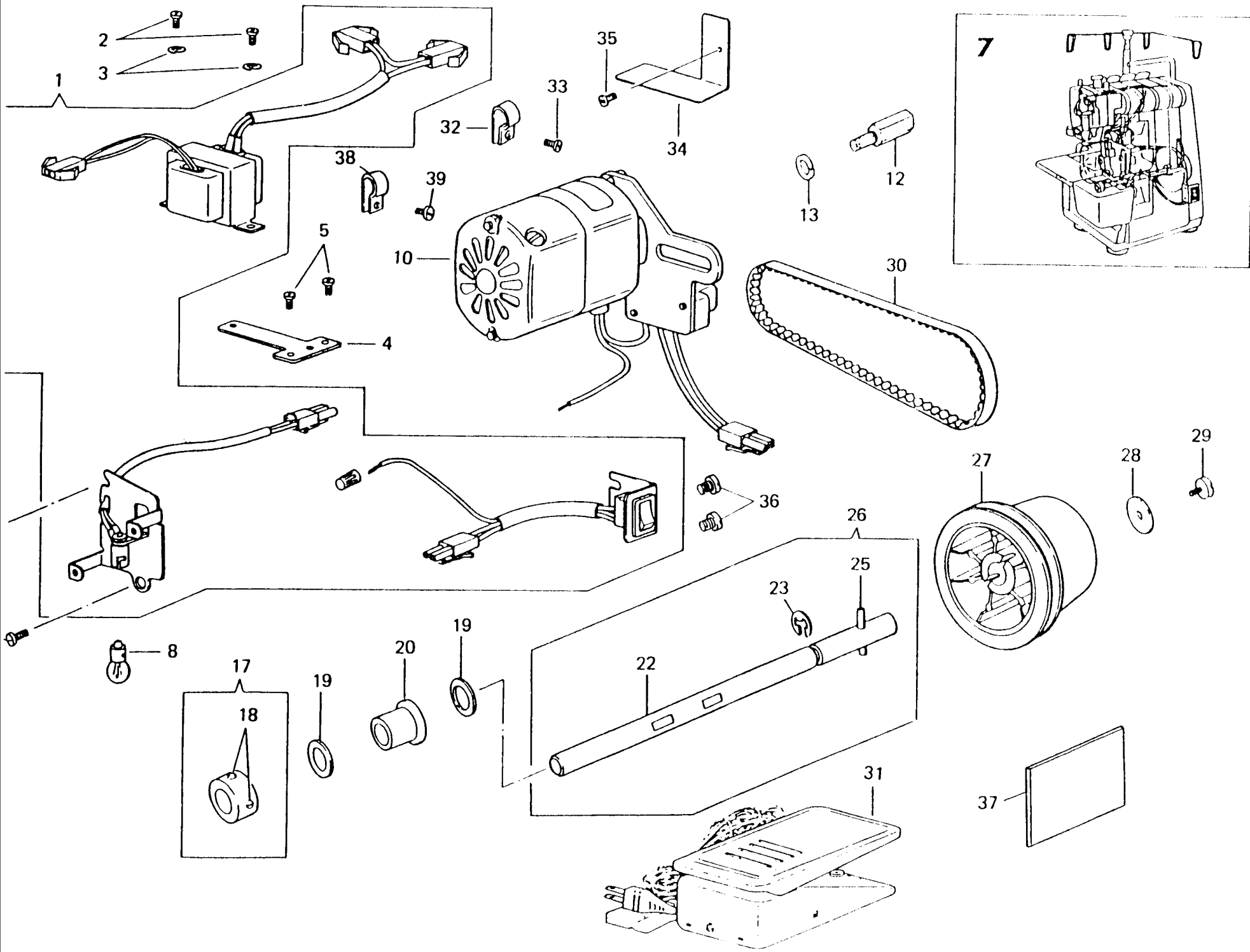
	PART NO.	DESCRIPTION		PART NO.	DESCRIPTION
1	410455	Right Looper Thread Guide	39	376701	Looper Cam Comp.
2	544212-001	Right Looper Thread Guide Set Screw	40	544204-001	Looper Cam Set Screw(2)
3	410438	Left Looper Thread Guide	41	412798	Left Looper Shaft Lever Comp.
4	544212-001	Left Looper Thread Guide Set Screw	42	414750-001	Left Looper Shaft Lever Screw
5	544203-001	Right Looper Retainer Driving Lever Stud Set Screw	43	374136	Screw Stud
6	544213-053	Right Looper Retainer Driving Lever Clamping Screw			
7	410436	Right Looper Retainer Driving Lever Comp.			
8	410435	Right Looper Retainer			
9	370290	Right Looper Retainer Driving Stud			
10	376799	Right Looper Shaft Bushing			
11	410429	Right Looper Retainer Guide			
12	544203-001	Right Looper Retainer Guide Collar Screw(2)			
13	410432	Right Looper Retainer Guide Collar Comp.	51	376798	Left Looper Shaft Bushing
14	370281	Right Looper Retainer Guide Bracket	52	544204-001	Left Looper Shaft Bushing Set Screw
15	370280	Right Looper Retainer Guide Bracket Comp.	53	410456	Left Looper Holder Thread Guide
16	544213-002	Right Looper Retainer Guide Bracket Screw(2)	54	544212-001	Left Looper Holder Thread Guide Screw
17	410434	Right Looper	55	376813	Left Looper Shaft
18	544413	Right Looper Screw	56	414750-001	Left Looper Holder Clamping Screw
			57	376838	Left Looper Holder Comp.
20	544204-001	Right Looper Shaft Bushing Set Screw	58	410452	Left Looper
			59	544211-052	Left Looper Screw
			60	376800-001	Looper Thread Guide
23	376813	Right Looper Shaft			
24	376707	Right Looper Cam Rod Comp.	62	542402	Right Looper Shaft Bushing Thrust Washer(2)
25	412793	Looper Cam Rod Comp.	63	542402	Left Looper Shaft Bushing Thrust Washer(2)
26	412794	Looper Cam Rod			
27	412795	Rod End			
28	544208-002	Rod End Set Screw	65	544212-001	Looper Thread Guide Screw(2)
29	376701	Looper Cam Comp.			
30	544204-001	Looper Cam Set Screw(2)			
31	412796	Right Looper Shaft Lever Comp.			
32	414750-001	Right Looper Shaft Lever Screw			
33	374136	Screw Stud			
34	376708	Left Looper Cam Rod Comp.			
35	412793	Looper Cam Rod Comp.			
36	412794	Looper Cam Rod			
37	412795	Rod End			
38	544208-002	Rod End Set Screw			



	PART NO.	DESCRIPTION		PART NO.	DESCRIPTION
1	376842	Knife (movable) Lever Comp.			
2	544204-001	Knife (movable) Lever Hing Stud Screw			
3	410310	Knife (movable) Lever Hing Stud			
5	410308	Knife (movable) Holder Collar Comp.			
6	544203-001	Knife (movable) Holder Coller Set Screw			
8	544407	Knife (movable) Screw			
9	412585	Knife (movable)			
10	412586	Knife (movable) Holder			
13	412584	Knife (movable) Comp.			
14	410307	Knife (movable) Holder Spring			
15	376841	Knife (movable) Lever Comp.			
16	410312-012	Knife (movable) Lever Driving Arm Comp.			
18	410316	Knife (movable) Forked Lever Stud Bushing			
19	544204-001	Knife (movable) Forked Lever Stud Bushing Set Screw			
20	410317	Knife (movable) Forked Lever comp.			
21	544204-001	Knife (movable) Forked Lever Screw(2)			
22	410296	Knife (stationary) Holder			
23	544207-011	Knife (stationary) Holder Screw(2)			
24	412749	Knife (stationary)			
25	410297	Knife (stationary) Clamping Plate			
26	544256	Knife (stationary) Clamping Plate Screw			
27	370226	Knife (stationary) Comp.			
30	545180	Needle Guard Set Screw(2)			
31	410489	Knife (stationary) Holder Positioning Plate			
32	544211-002	Knife (stationary) Holder Positioning Plate Screw			
33	376628	Needle Guard Bracket for Overedge Needle			
34	544211-051	Needle Guard Bracket for Overedge Needle Screw (2)			
35	376625	Needle Guard for Overedge Needle (front)			
36	545180	Needle Guard for Overedge Needle (front) Screw (2)			

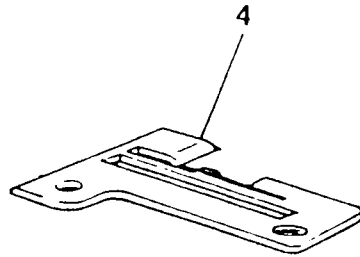
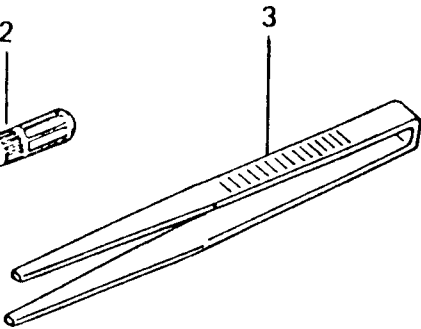
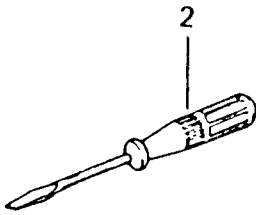
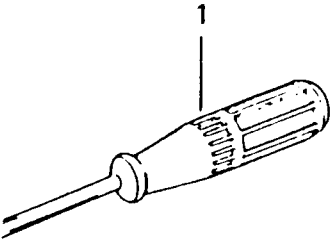


	PART NO.	DESCRIPTION		PART NO.	DESCRIPTION
2	410380	Feed Crank Pin Center (small)			
3	376795	Feed Crank Pin Center (large)			
4	544204-001	Feed Crank Pin Center Screw(2)			
5	410381	Feed Crank Pin			
6	543801-008	Feed Crank Pin Retaining Ring			
7	410382	Feed Crank Eccentric Pin Comp.			
10	410387	Feed Lifting Cam Slide Block			
11	543818-010	Feed Lifting Cam Slide Block Retaining Ring			
12	410385	Feed Lifting Cam Comp.			
13	544204-001	Feed Lifting Cam Set Screw(2)			
14	410384	Feed Lifting Cam Comp.			
15	412730	Throat Plate			
16	504050-851	Throat Plate Screw			
19	376852	Feed Regulator Crank Rod Comp.			
20	544204-001	Feed Crank Eccentric Pin Screw			
21	410363	Feed Crank Rod Pin			
24	543801-006	Feed Crank Rod Pin Retaining Ring			
25	410360	Feed Cam Comp.			
26	544203-001	Feed Cam Screw(2)			
27	410362	Feed Crank Rod			
28	543802-014	Feed Cam Retaining Ring			
30	376850	Feed Regulator Crank Rod Comp.			
31	410376	Feed Regulator Dial Spring Bracket			
32	410377	Feed Regulator Dial Spring			
33	544212-001	Feed Regulator Dial Spring Screw			
34	410375	Feed Regulator Dial Spring Bracket Comp.			
35	544213-001	Feed Regulator Dial Spring Bracket Screw			
38	412788-003	Feed Regulator Dial Comp.			
			41	410370	Feed Regulator Stud Bushing
			42	544204-001	Feed Regulator Stud Bushing Set Screw
			43	410409	Feed Regulator Stud Collar Comp.
			44	504007	Feed Regulator Stud Collar Screw
			45	543801-007	Feed Crank Eccentric Pin Retaining Ring
			47	412694	Throat Plate Position Screw

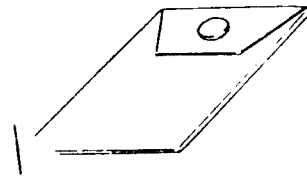


	PART NO.	DESCRIPTION		PART NO.	DESCRIPTION
1	419087	Switch,Transformer,Lamp Holder Comp.	38	542766-001	Cord Holder
2	549324	Transformer Screw(2)	39	544039	Cord Holder Screw(upper)
3	543805-002	Transformer Spring Washer(2)			
4	412752	Transformer Bracket			
5	544212-001	Transformer Bracket Screw(2)			
6	544212-001	Lamp Holder Bracket Screw(2)			
8	419088	Lamp			
10	419375-002	Motor Comp. (for UL/CSA)			
12	544259	Motor Bracket Clamping Screw			
13	543805-005	Motor Bracket Clamping Screw Washer			
14	410252	Rotating Shaft Bushing (left)			
17	410470	Rotating Shaft Collar Comp.			
18	544204-001	Rotating Shaft Collar Set Screw(2)			
19	408730	Rotating Shaft Thrust Washer(2)			
20	410253	Rotating Shaft Bushing (right)			
22	376816	Rotating Shaft			
23	543801-010	Rotating Shaft Retaining Ring			
25	543809-004	Rotating Shaft Spring Pin			
26	376808	Rotating Shaft Comp.			
27	410268-002	Pulley			
28	543848	Pulley Set Screw Washer			
29	544270-001	Pulley Set Screw			
30	412721	Motor Belt			
31	419115-002	Controller Comp. (for UL/CSA)			
32	542766-001	Cord Holder			
33	544212-001	Cord Holder Screw			
34	412737	Cord Clamping Plate			
35	544212-001	Cord Clamping Plate Screw			
36	544212-001	Switch Bracket Screw(2)			
37	419376-908	Electrical Data Plate (for UL/CSA)			

8



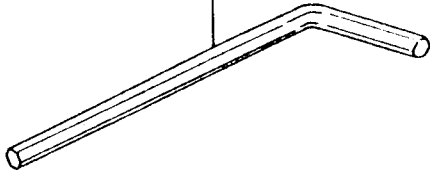
8



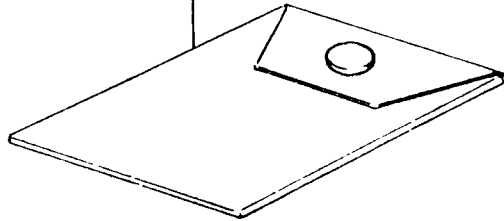
5



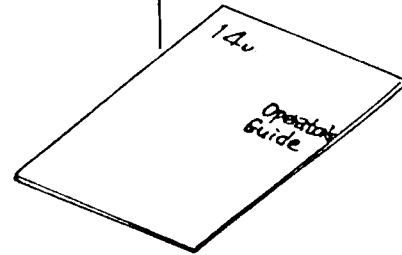
6



7



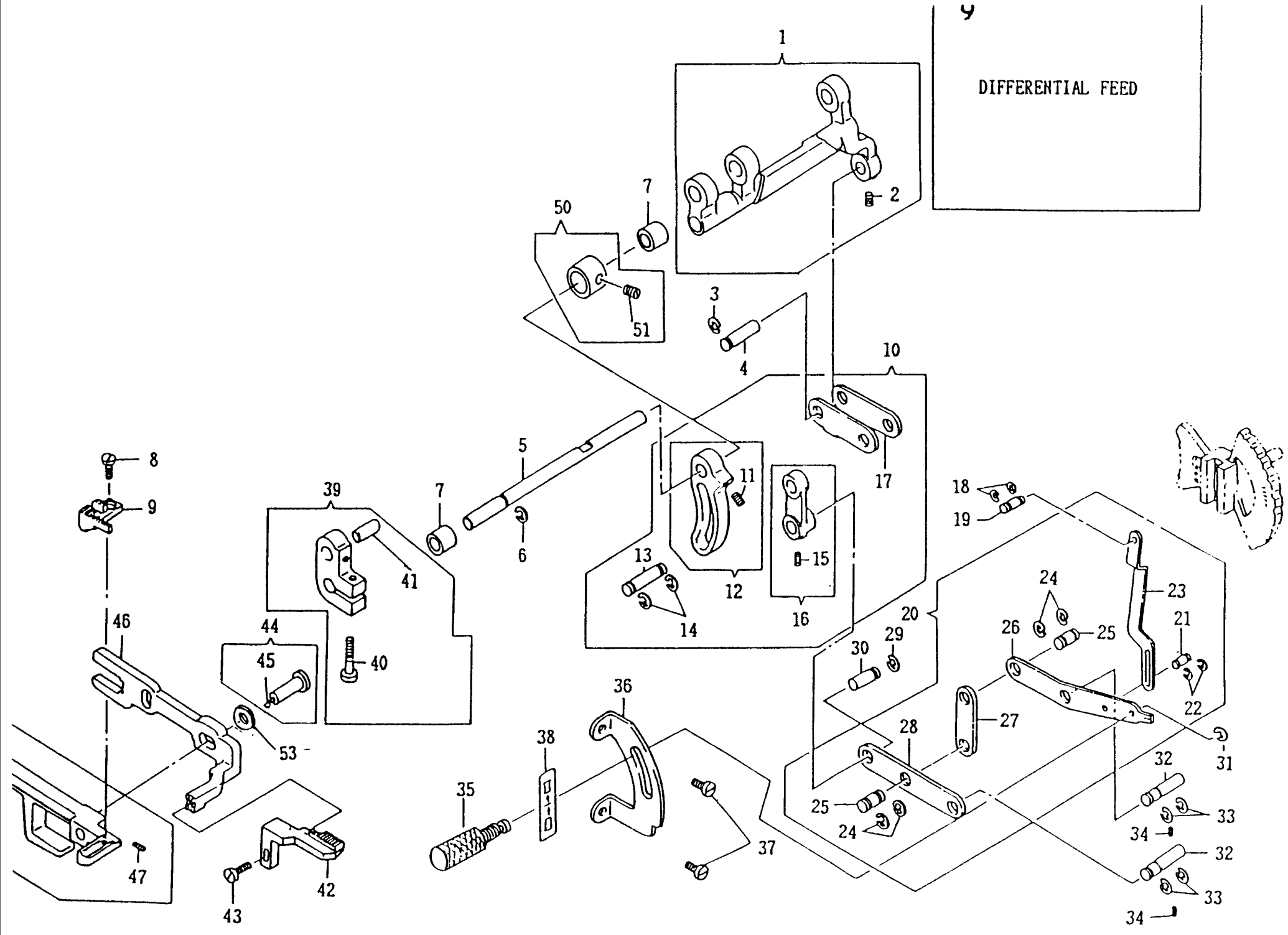
10



	PART NO.	DESCRIPTION		PART NO.	DESCRIPTION
1	541513	Driver (large)			
2	541514	Driver (small)			
3	376853	Tweezers			
4	412784	Throat Plate Comp. (for Rolled Hem)			
5	N2054-42-14	Needle (#14) (2)			
6	543066	Hexagon Wrench Key			
7	541597	Accessory Pack			
8	370229	Accessory Set			
10	379307-002	Operator's Guide			

9

DIFFERENTIAL FEED



PARTS NO.		DESCRIPTION	PARTS NO.		DESCRIPTION
1	412618	Differential Feed Crank Comp.	39	376518	Differential Feed Arm Comp.
2	544204-001	Differential Feed Crank Stud Screw	40	544212-055	Differential Feed Arm Clamping Screw
3	543801-006	Differential Feed Crank Stud Retaining Ring	41	412634	Auxiliary Feed Bar Driving Pin
4	412620	Differential Feed Crank Stud	42	376522	Auxiliary Feed Dog
5	412628	Differential Feed Shaft	43	544490	Auxiliary Feed Dog Screw
6	543801-006	Differential Feed Shaft Retaining Ring	44	410266	Auxiliary Feed Bar Guide Pin Comp.
7	410324	Differential Feed Shaft Bushing (2)	45	410422	Auxiliary Feed Bar Guide Pin Wick
8	544103	Main Feed Dog Screw	46	412648	Auxiliary Feed Bar
9	376521	Main Feed Dog	47	544203-001	Auxiliary Feed Bar Guide Pin Screw
10	412621	Differential Feed Crank Rod Comp.	48	544204-001	Feed Crank Pin Screw
11	544204-001	Differential Feed Adjusting Arm Screw	49	412646	Main Feed Bar Comp.
12	412623	Differential Feed Adjusting Arm Comp.	50	375390	Differential Feed Shaft Collar Comp.
13	412627	Differential Feed Crank Rod Stud	51	544203-001	Differential Feed Shaft Collar Screw
14	543801-006	Differential Feed Crank Rod Stud Retaining Ring (2)			
15	544203-001	Differential Feed Adjusting Lever Arm Pin Screw	53	543531	Auxiliary Feed Bar Guide Pin Thrust Washer
16	412625	Differential Feed Adjusting Lever Arm Comp.			
17	412622	Differential Feed Crank Rod			
18	543801-002	Differential Feed Safety Plate Stud (upper) Retaining Ring (2)			
19	412643	Differential Feed Safety Plate Stud (upper)			
20	412636	Differential Feed Adjusting Lever Comp.			
21	412642	Differential Feed Safety Plate Stud (lower)			
22	543801-002	Differential Feed Safety Plate Stud (lower) Retaining Ring (2)			
23	412641	Differential Feed Safety Plate			
24	543801-006	Differential Feed Adjusting Lever Pin Retaining Ring (4)			
25	412638	Differential Feed Adjusting Lever Pin (2)			
26	412640	Differential Feed Adjusting Lever (upper)			
27	412639	Differential Feed Adjusting Lever Link			
28	412637	Differential Feed Adjusting Lever (lower)			
29	543801-006	Differential Feed Adjusting Lever Arm Pin Retaining Ring			
30	412635	Differential Feed Adjusting Lever Arm Pin			
31	543860-003	Differential Feed Knob Screw Retaining Ring			
32	412644	Differential Feed Adjusting Lever Stud (2)			
33	543801-006	Differential Feed Adjusting Lever Stud Retaining Ring (4)			
34	544203-001	Differential Feed Adjusting Lever Stud Screw (2)			
35	376784	Differential Feed Knob Screw			
36	412645	Differential Feed Adjusting Lever Guide Plate			
37	544212-001	Differential Feed Adjusting Lever Guide Plate Screw (2)			
38	412655-902	Differential Feed Sticker			