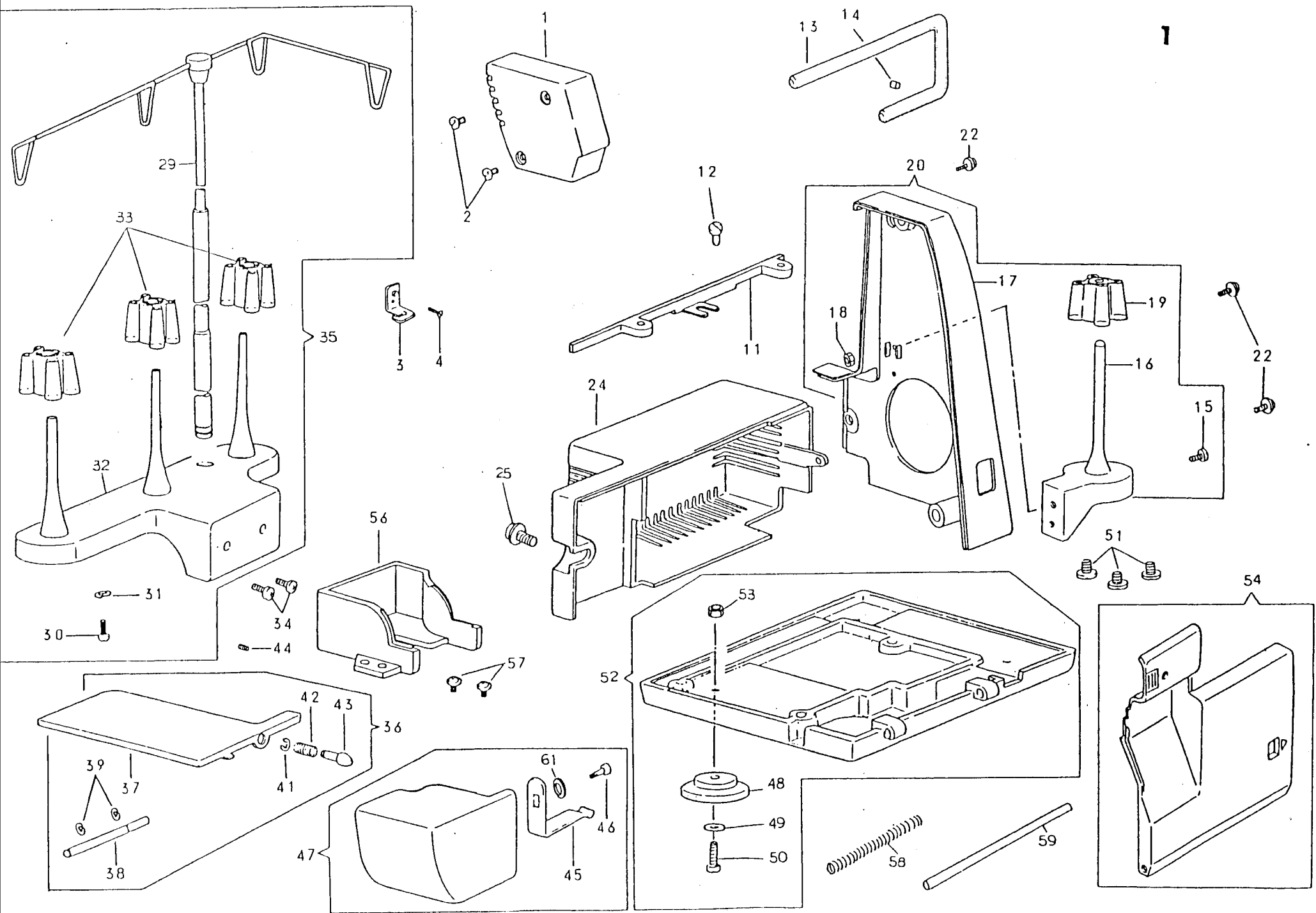


SINGER
14U46B

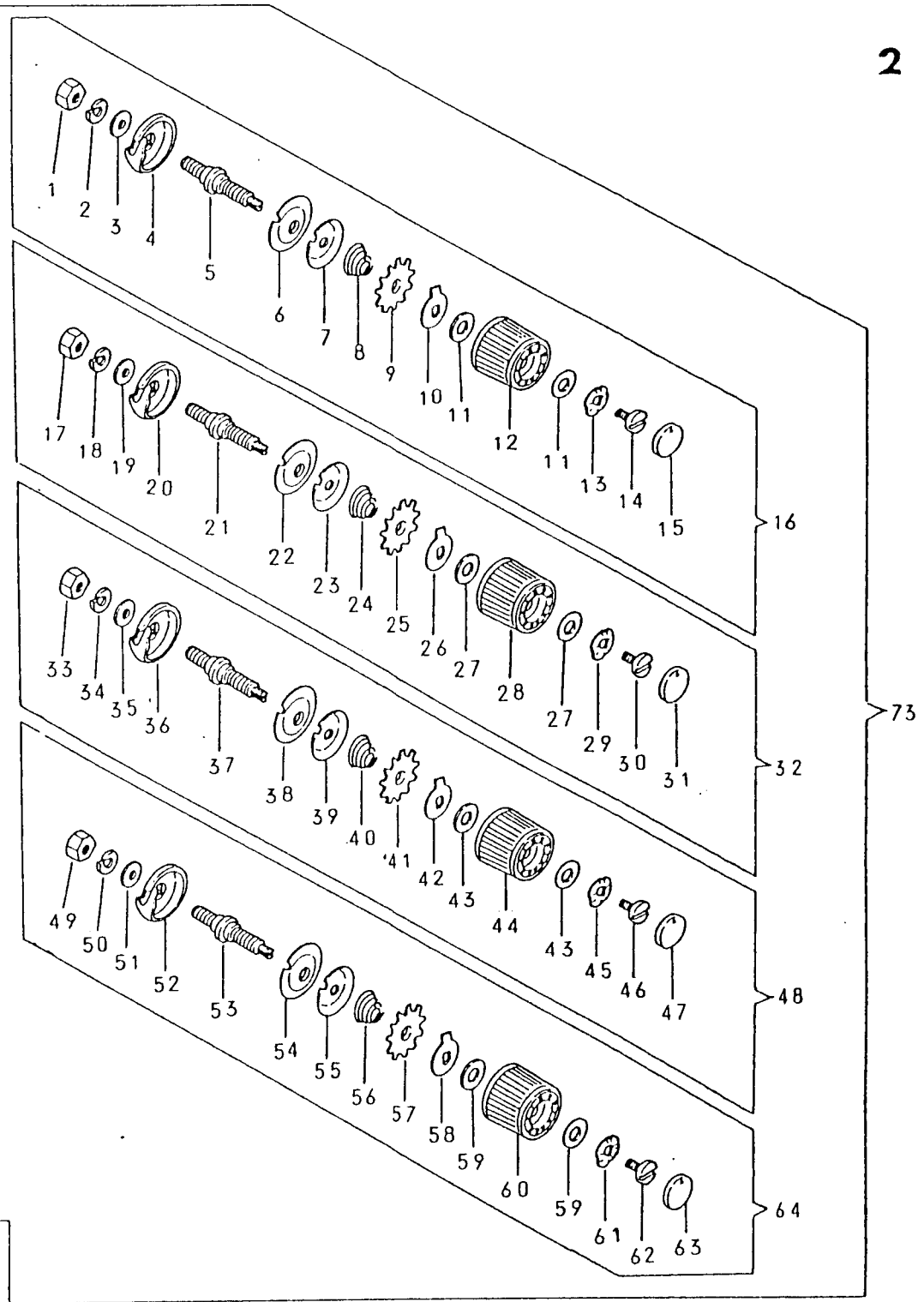
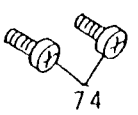
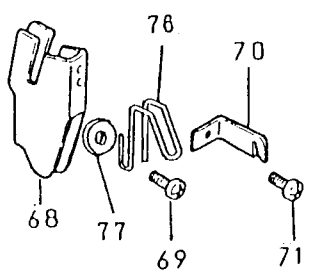
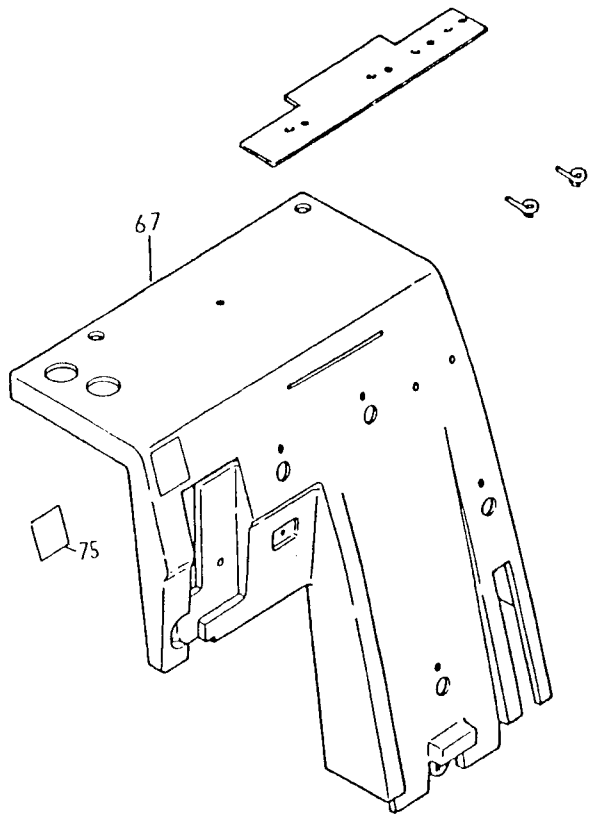
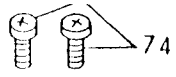
PARTS LIST

SINGER

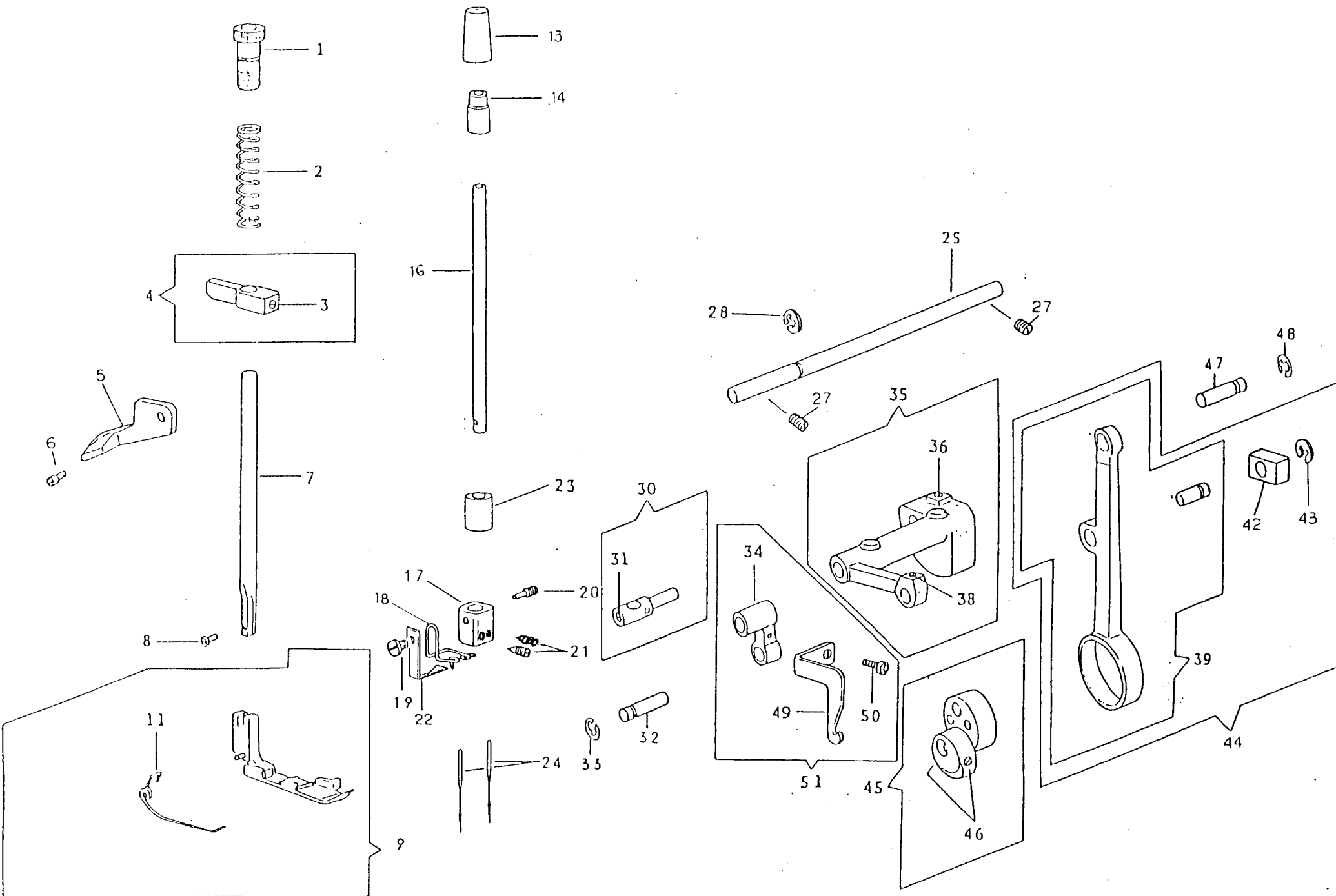
14U46B



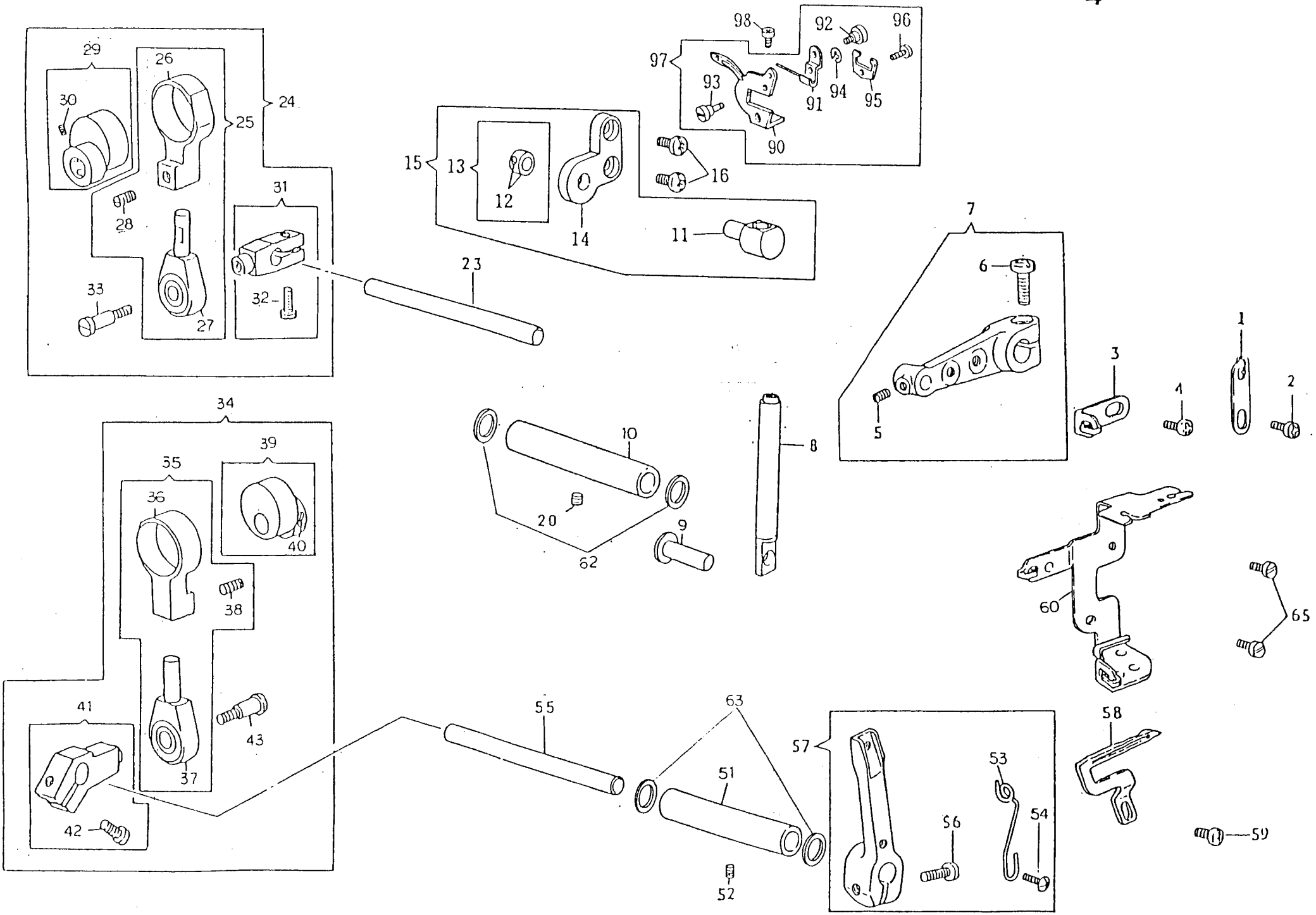
	PART NO.	DESCRIPTION		PART NO.	DESCRIPTION
1	412735-002	Light Cover	39	546623	Convertible Bed Plate Stud Retaining Ring (2)
2	544212-072	Light Cover Screw (2)			
3	412534	Needle Thread Guide	41	546623	Convertible Bed Plate Latch Retaining Ring
4	544258	Needle Thread Guide Screw	42	376786	Convertible Bed Plate Latch Spring
			43	381874-451	Convertible Bed Plate Latch
			44	544203-001	Convertible Bed Plate Stud Screw
			45	412682	Cylinder Cover Spring
			46	412697	Cylinder Cover Spring Clamping Screw
			47	412706-002	Cylinder Cover Complete
			48	410208	Machine Base Cushion (4)
11	376734-451	Front Cover Auxiliary Plate	49	543803-004	Machine Base Cushion Screw Washer (4)
12	544212-001	Front Cover Auxiliary Plate Screw	50	544218-002	Machine Base Cushion Screw (4)
13	410202	Handle	51	544214-005	Machine Base Screw (3)
14	544204-005	Handle Set Screw (2)	52	376794-002	Machine Base Comp.
15	544212-004	Thread Unwinder (small) Screw	53	541166-001	Machine Base Cushion Nut (4)
16	376779-002	Thread Unwinder (small)	54	376512-002	Looper Cover Comp.
17	412750-002	Pulley Cover			
18	541165-001	Thread Unwinder (small) Screw Nut	56	412736-002	Transformer Cover
19	546893	Spool Holder	57	544270-001	Transformer Cover Screw (2)
20	412766-002	Pulley Cover Comp.	58	376717-900	Looper Cover Hinge Spring
			59	410239-900	Looper Cover Hinge Pin
22	544270-001	Pulley Cover Screw (3)			
			61	543804-003	Cylinder Cover Spring Clamping Screw Washer
24	410248-003	Motor Cover			
25	544270-001	Motor Cover Screw			
29	412519	Thread Unwinder Thread Guide Rod Comp.			
30	544212-003	Thread Unwinder Thread Guide Rod Screw			
31	543805-003	Thread Unwinder Thread Guide Rod Screw Washer			
32	410389-902	Thread Unwinder Comp.			
33	546893	Spool Holder (3)			
34	544213-001	Thread Unwinder Comp. Screw (2)			
35	376834-002	Thread Unwinder Comp.			
36	376781-002	Convertible Bed Plate Comp.			
37	376780-902	Convertible Bed Plate (body)			
38	376785	Convertible Bed Plate Stud			



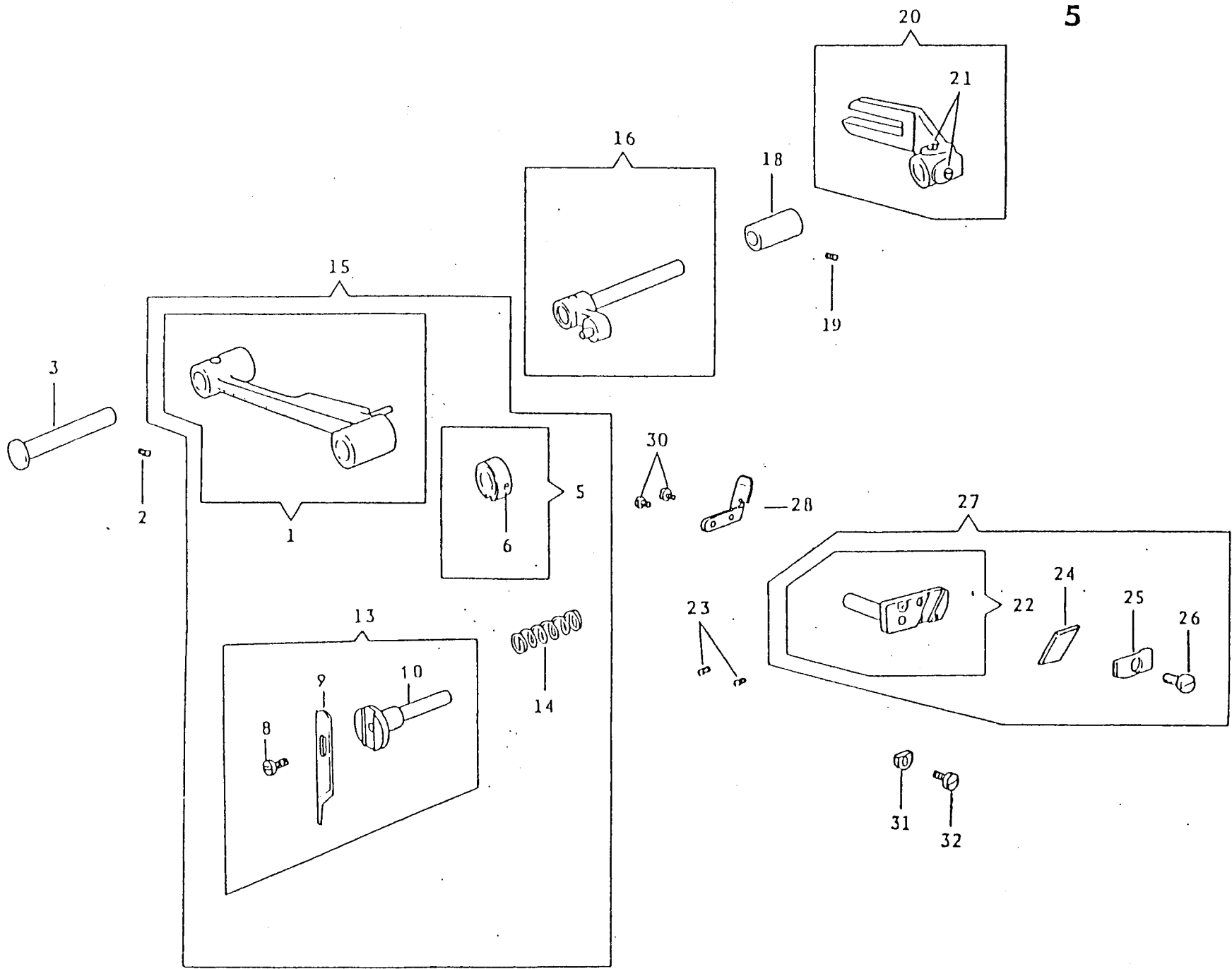
	PART NO.	DESCRIPTION		PART NO.	DESCRIPTION
1	541167-001	Nut	39	376744-100	Tension Disc (small)
2	543805-005	Spring Washer	40	376745-100	Tension Disc Spring
3	543803-005	Washer	41	376748-100	Tension Disc Spring Nut
4	376739-100	Tension Dial Thread Guide Comp.	42	376749-100	Tension Dial Stopper
5	376742-100	Tension Screw Stud	43	376753-100	Washer (2)
6	376743-100	Tension Disc (large)	44	376750-102	Tension Dial Comp.
7	376744-100	Tension Disc (small)	45	376754-100	Wave Washer
8	376747-100	Tension Disc Spring	46	374172-100	Tension Dial Screw
9	376748-100	Tension Disc Spring Nut	47	376755-100	Tension Dial Screw Cap.
10	376749-100	Tension Dial Stopper	48	376736-100	Tension Dial Comp. (for right needle)
11	376753-100	Washer (2)	49	541167-001	Nut
12	376750-104	Tension Dial Comp.	50	543805-005	Spring Washer
13	376754-100	Wave Washer	51	543803-005	Washer
14	374172-100	Tension Dial Screw	52	376739-100	Tension Dial Thread Guide Comp.
15	376755-100	Tension Dial Screw Cap.	53	376742-100	Tension Screw Stud
16	376738-100	Tension Dial Comp. (for left looper)	54	376743-100	Tension Disc (large)
17	541167-001	Nut	55	376744-100	Tension Disc (small)
18	543805-005	Spring Washer	56	376745-100	Tension Disc Spring
19	543803-005	Washer	57	376748-100	Tension Disc Spring Nut
20	376739-100	Tension Dial Thread Guide Comp.	58	376749-100	Tension Dial Stopper
21	376742-100	Tension Screw Stud	59	376753-100	Washer (2)
22	376743-100	Tension Disc (large)	60	376750-101	Tension Dial Comp.
23	376744-100	Tension Disc (small)	61	376754-100	Wave Washer
24	376746-100	Tension Disc Spring	62	374172-100	Tension Dial Screw
25	376748-100	Tension Disc Spring Nut	63	376755-100	Tension Dial Screw Cap.
26	376749-100	Tension Dial Stopper	64	376735-100	Tension Dial Comp. (for left needle)
27	376753-100	Washer (2)			
28	376750-103	Tension Dial Comp.	67	376731-451	Front Cover (body) Comp.
29	376754-100	Wave Washer	68	412751	Front Cover Thread Guide
30	374172-100	Tension Dial Screw	69	412697	Front Cover Thread Guide Screw
31	376755-100	Tension Dial Screw Cap.	70	412531	Front Cover Thread Guide (small)
32	376737-100	Tension Dial Comp. (for right looper)	71	412697-002	Front Cover Thread Guide (small) Screw
33	541167-001	Nut	72	376730-451	Front Cover Comp.
34	543805-005	Spring Washer	73	376511-451	Front Cover Comp.
35	543803-005	Washer	74	544212-073	Front Cover Screw (4)
36	376739-100	Tension Dial Thread Guide Comp.	75	376879-451	Needle Size Sticker
37	376742-100	Tension Screw Stud	76	376556	Front Cover Thread Guide Wire
38	376743-100	Tension Disc (large)	77	543804-003	Washer



	PART NO.	DESCRIPTION		PART NO.	DESCRIPTION
1	544262-101	Presser Regulating Thum Screw	39	370243	Needle Bar Crank Rod Comp.
2	410355	Presser Bar Spring			
3	544204-001	Presser Bar Guide Bracket Screw			
4	410352	Presser Bar Guide Bracket Comp.	42	511030	Needle Bar Crank Rod Slide Block
5	412787-100	Presser Bar Lifter	43	543801-006	Needle Bar Crank Rod Slide Block Pin Retaining Ring
6	544441	Presser Bar Lifter Screw Stud	44	370242	Needle Bar Crank Rod Comp.
7	410351	Presser Bar	45	410329	Needle Bar Eccentric Cam Comp.
8	504063-451	Presser Foot Screw	46	544204-002	Needle Bar Eccentric Cam Set Screw(2)
9	376827	Presser Foot Comp.	47	410340	Needle Bar Crank Rod Pin
			48	543801-006	Needle Bar Crank Rod Pin Retaining Ring
11	410348	Presser Foot Spring	49	376516	Needle Thread Take-up
			50	544211-051	Needle Thread Take-up Screw
13	410322-100	Needle Bar Bushing (upper) Cap	51	376515	Needle Bar Connecting Link Comp.
14	410323	Needle Bar Bushing (upper)			
16	376844	Needle Bar			
17	376554	Needle Clamp			
18	376848	Needle Bar Thread Guide			
19	544211-001	Needle Bar Thread Guide Set Screw			
20	374102	Needle Bar Set Screw			
21	374364	Needle Set Screw (for left and right) (2)			
22	376514	Needle Clamp Thread Guide			
23	410324	Needle Bar Bushing (lower)			
24	N2054-01-14	Needle (#14) (2)			
25	376814	Arm Shaft			
27	544204-002	Arm Shaft Bushing Set Screw(2)			
28	543801-007	Arm Shaft Retaining Ring			
30	410325	Needle Bar Connecting Stud			
31	544044	Needle Bar Connecting Stud Screw			
32	410340	Needle Bar Connecting Link Pin			
33	543801-006	Needle Bar Connecting Link Pin Retaining Ring			
34	410327	Needle Bar Connecting Link			
35	412707-001	Needle Bar Crank Comp.			
36	544203-001	Needle Bar Crank Rod Pin Screw			
38	544203-001	Needle Bar Connecting Link Pin			

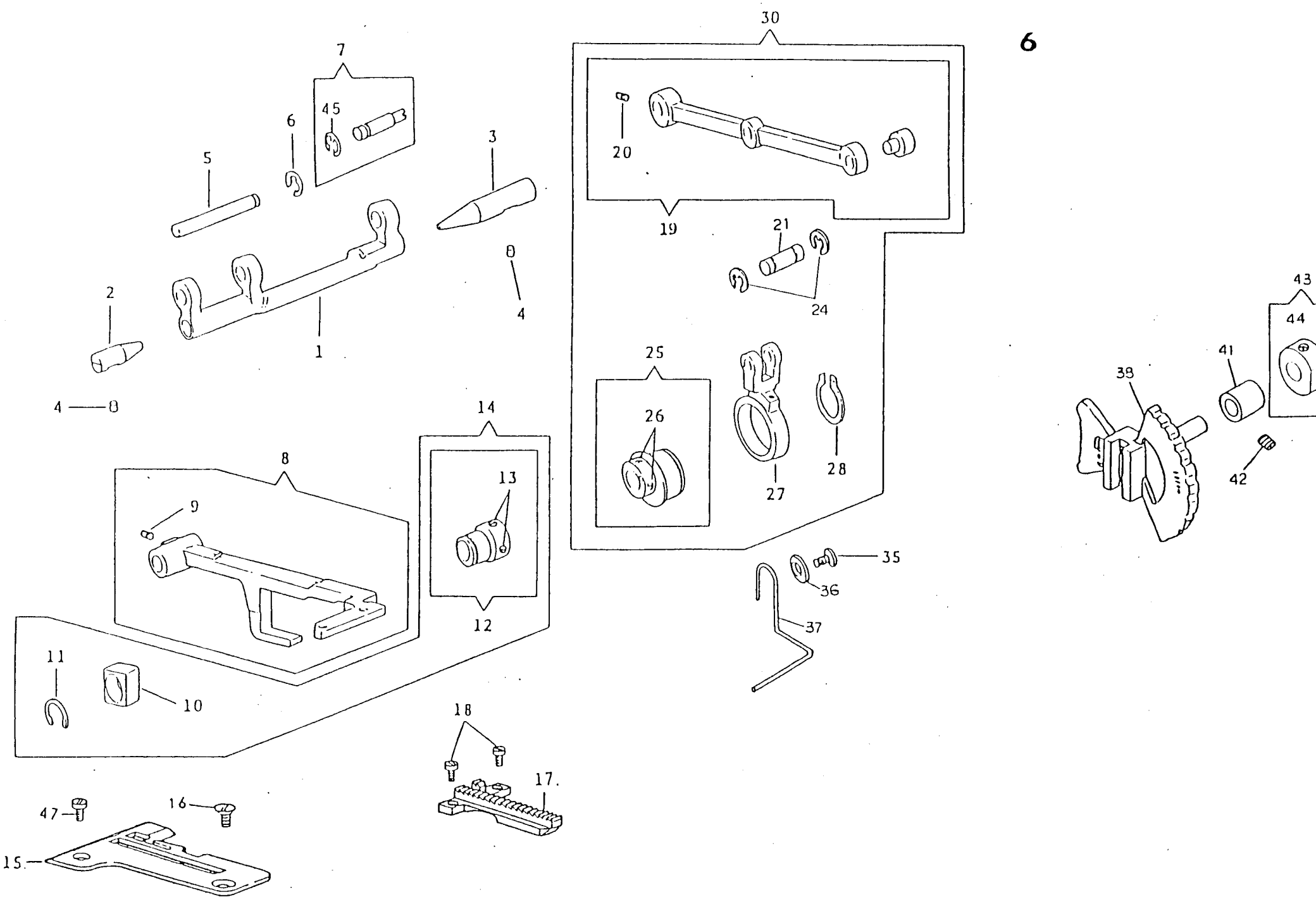


	PART NO.	DESCRIPTION		PART NO.	DESCRIPTION
1	410455	Right Looper Thread Guide	39	376701	Looper Cam Comp.
2	544212-001	Right Looper Thread Guide Set Screw	40	544204-001	Looper Cam Set Screw(2)
3	410438	Left Looper Thread Guide	41	412798	Left Looper Shaft Lever Comp.
4	544212-001	Left Looper Thread Guide Set Screw	42	544213-054	Left Looper Shaft Lever Screw
5	544203-001	Right Looper Retainer Driving Lever Stud Set Screw	43	374136	Screw Stud
6	544213-053	Right Looper Retainer Driving Lever Clamping Screw			
7	410436-002	Right Looper Retainer Driving Lever Comp.			
8	410435	Right Looper Retainer			
9	370290	Right Looper Retainer Driving Stud			
10	376799	Right Looper Shaft Bushing			
11	410429	Right Looper Retainer Guide			
12	544203-001	Right Looper Retainer Guide Collar Screw(2)	51	376798	Left Looper Shaft Bushing
13	410432	Right Looper Retainer Guide Collar Comp.	52	544204-001	Left Looper Shaft Bushing Set Screw
14	370281	Right Looper Retainer Guide Bracket	53	410456	Left Looper Holder Thread Guide
15	370280	Right Looper Retainer Guide Bracket Comp.	54	544212-001	Left Looper Holder Thread Guide Screw
16	544213-002	Right Looper Retainer Guide Bracket Screw(2)	55	376813	Left Looper Shaft
			56	544213-053	Left Looper Holder Clamping Screw
			57	376838	Left Looper Holder Comp.
			58	410452	Left Looper
20	544204-001	Right Looper Shaft Bushing Set Screw	59	544211-052	Left Looper Screw
			60	376800-001	Looper Thread Guide
23	376813	Right Looper Shaft	62	542402	Right Looper Shaft Bushing Thrust Washer(2)
24	376707	Right Looper Cam Rod Comp.	63	542402	Left Looper Shaft Bushing Thrust Washer(2)
25	412793	Looper Cam Rod Comp.			
26	412794	Looper Cam Rod	65	544212-001	Looper Thread Guide Screw(2)
27	412795	Rod End			
28	544208-002	Rod End Set Screw	90	370236	Right Looper
29	376701	Looper Cam Comp.	91	370237	Right Looper Horn Bracket Comp.
30	544204-001	Looper Cam Set Screw(2)	92	374354	Right Looper Horn Bracket Hinge Screw
31	412796	Right Looper Shaft Lever Comp.	93	370240	Right Looper Horn Bracket Eccentric Pin
32	544213-054	Right Looper Shaft Lever Screw	94	543801-001	Right Looper Horn Bracket Eccentric Pin
33	374136	Screw Stud			Retaining Ring
34	376708	Left Looper Cam Rod Comp.	95	370241	Right Looper Horn Bracket Stopper
35	412793	Looper Cam Rod Comp.	96	374355	Right Looper Horn Bracket Stopper Screw
36	412794	Looper Cam Rod	97	370235	Right Looper Comp.
37	412795	Rod End	98	544413	Right Looper Screw
38	544208-002	Rod End Set Screw			



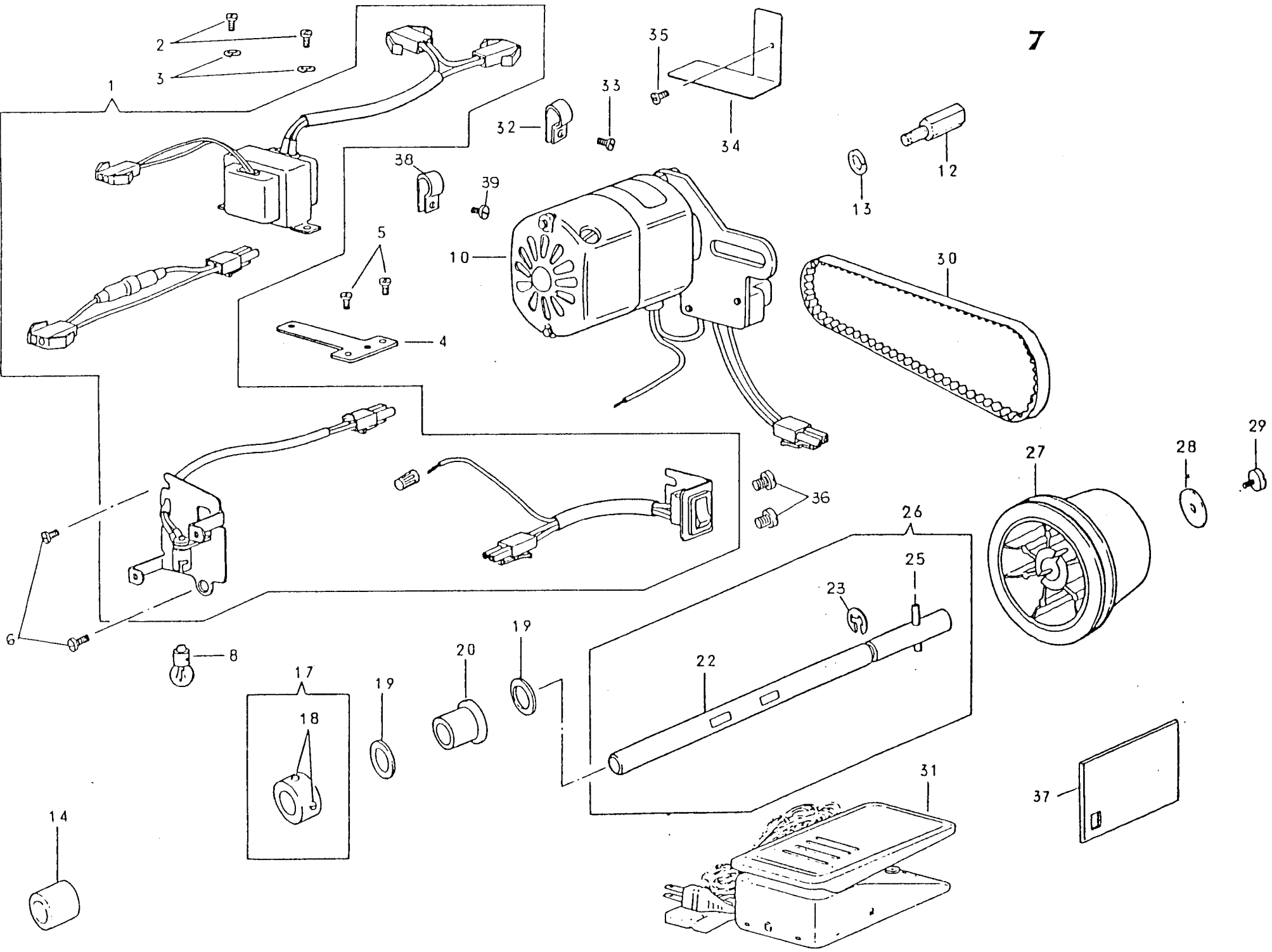
	PART NO.	DESCRIPTION		PART NO.	DESCRIPTION
1	376842	Knife (movable) Lever Comp.			
2	544204-001	Knife (movable) Lever Hing Stud Screw			
3	410310	Knife (movable) Lever Hing Stud			
5	410308	Knife (movable) Holder Collar Comp.			
6	544203-001	Knife (movable) Holder Coller Set Screw			
8	544407	Knife (movable) Screw			
9	412585	Knife (movable)			
10	412586	Knife (movable) Holder			
13	412584	Knife (movable) Comp.			
14	410307	Knife (movable) Holder Spring			
15	376841	Knife (movable) Lever Comp.			
16	410312-012	Knife (movable) Lever Driving Arm Comp.			
18	410316	Knife (movable) Forked Lever Stud Bushing			
19	544204-001	Knife (movable) Forked Lever Stud Bushing Set Screw			
20	410317	Knife (movable) Forked Lever comp.			
21	544204-001	Knife (movable) Forked Lever Screw(2)			
22	410296	Knife (stationary) Holder			
23	544207-011	Knife (stationary) Holder Screw(2)			
24	412749	Knife (stationary)			
25	410297	Knife (stationary) Clamping Plate			
26	544256	Knife (stationary) Clamping Plate Screw			
27	370226	Knife (stationary) Comp.			
28	370277	Needle Guard			
30	545180	Needle Guard Set Screw(2)			
31	410489	Knife (stationary) Holder Positioning Plate			
32	544211-002	Knife (stationary) Holder Positioning Plate Screw			

6



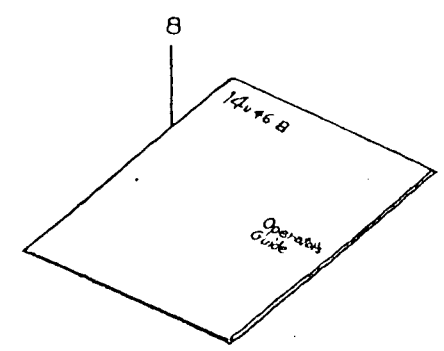
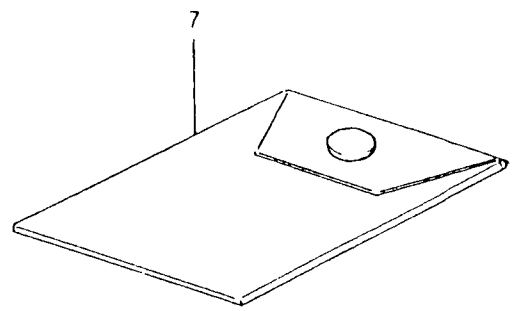
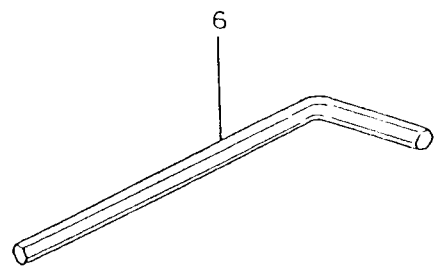
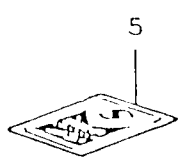
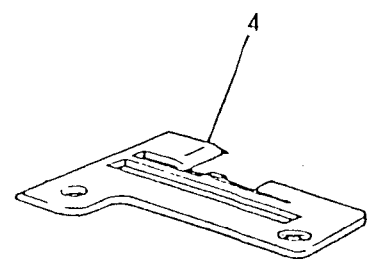
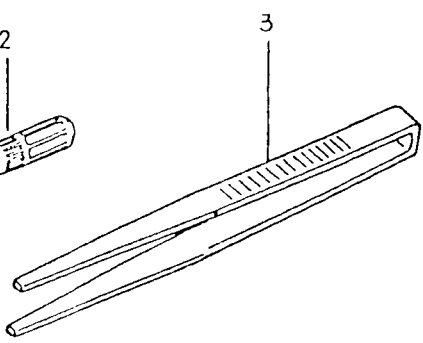
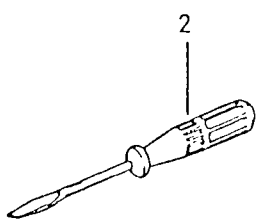
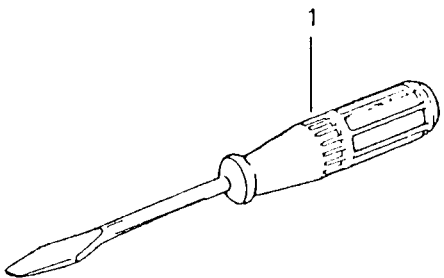
	PART NO.	DESCRIPTION		PART NO.	DESCRIPTION
1	410378	Feed Crank			
2	410380	Feed Crank Pin Center (small)			
3	376795	Feed Crank Pin Center (large)	41	410370	Feed Regulator Stud Bushing
4	544204-001	Feed Crank Pin Center Screw(2)	42	544204-001	Feed Regulator Stud Bushing Set Screw
5	410381	Feed Crank Pin	43	410409	Feed Regulator Stud Collar Comp.
6	543801-008	Feed Crank Pin Retaining Ring	44	504007	Feed Regulator Stud Collar Screw
7	410382	Feed Crank Eccentric Pin Comp.	45	543801-007	Feed Crank Eccentric Pin Retaining Ring
8	410399	Feed Bar Comp.			
9	544204-001	Feed Crank Pin Screw	47	412694	Throat Plate Position Screw
10	410387	Feed Lifting Cam Slide Block			
11	543818-010	Feed Lifting Cam Slide Block Retaining Ring			
12	410385	Feed Lifting Cam Comp.			
13	544204-001	Feed Lifting Cam Set Screw(2)			
14	410384	Feed Lifting Cam Comp.			
15	412730	Throat Plate			
16	504050-851	Throat Plate Screw			
17	412783	Feed Dog			
18	544103	Feed Dog Screw(2)			
19	376852	Feed Regulator Crank Rod Comp.			
20	544204-001	Feed Crank Eccentric Pin Screw			
21	410363	Feed Crank Rod Pin			
24	543801-006	Feed Crank Rod Pin Retaining Ring			
25	410360	Feed Cam Comp.			
26	544203-001	Feed Cam Screw(2)			
27	410362	Feed Crank Rod			
28	543802-014	Feed Cam Retaining Ring			
30	376850	Feed Regulator Crank Rod Comp.			
35	544213-001	Feed Regulator Dial Spring Screw			
36	543803-004	Feed Regulator Dial Spring Washer			
37	376810	Feed Regulator Dial Spring			
38	412788-003	Feed Regulator Dial Comp.			

7



	PART NO.	DESCRIPTION		PART NO.	DESCRIPTION
1	419087	Switch,Transformer,Lamp Holder Comp.	38	542766-001	Cord Holder
2	549324	Transformer Screw(2)	39	544039	Cord Holder Screw(upper)
3	543805-002	Transformer Spring Washer(2)			
4	412752	Transformer Bracket			
5	544212-001	Transformer Bracket Screw(2)			
6	544212-001	Lamp Holder Bracket Screw(2)			
8	419088	Lamp			
10	419375-002	Motor Comp. (for UL/CSA)			
12	544259	Motor Bracket Clamping Screw			
13	543805-005	Motor Bracket Clamping Screw Washer			
14	410252	Rotating Shaft Bushing (left)			
17	410470	Rotating Shaft Collar Comp.			
18	544204-001	Rotating Shaft Collar Set Screw(2)			
19	408730	Rotating Shaft Thrust Washer(2)			
20	410253	Rotating Shaft Bushing (right)			
22	376816	Rotating Shaft			
23	543801-010	Rotating Shaft Retaining Ring			
25	543809-004	Rotating Shaft Spring Pin			
26	376808	Rotating Shaft Comp.			
27	410268-002	Pulley			
28	543848	Pulley Set Screw Washer			
29	544270-001	Pulley Set Screw			
30	412721	Motor Belt			
31	419115-002	Controller Comp. (for UL/CSA)			
32	542766-001	Cord Holder			
33	544212-001	Cord Holder Screw			
34	412737	Cord Clamping Plate			
35	544212-001	Cord Clamping Plate Screw			
36	544212-001	Switch Bracket Screw(2)			
37	419481-904	Electrical Data Plate			

8



	PART NO.	DESCRIPTION		PART NO.	DESCRIPTION
1	541513	Driver (medium)			
2	541514	Driver (small)			
3	376853	Tweezers			
4	412784	Throat Plate Comp.(for Rolled Item)			
5	N2054-01-14	Needle(#14)			
6	543066	Hexagon Wrench Key			
7	541597	Attachment Pack			
8	379230-002	Operator's Guide			